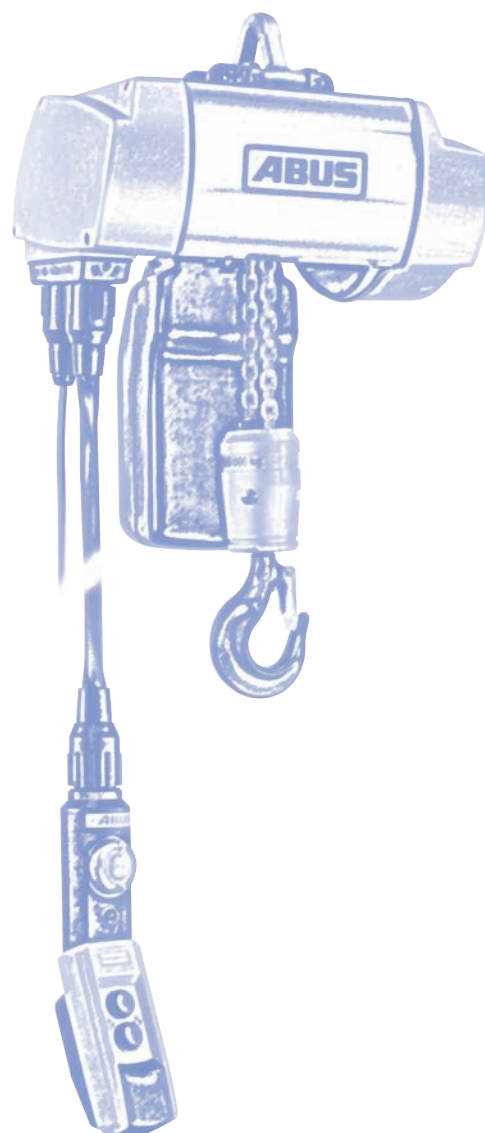
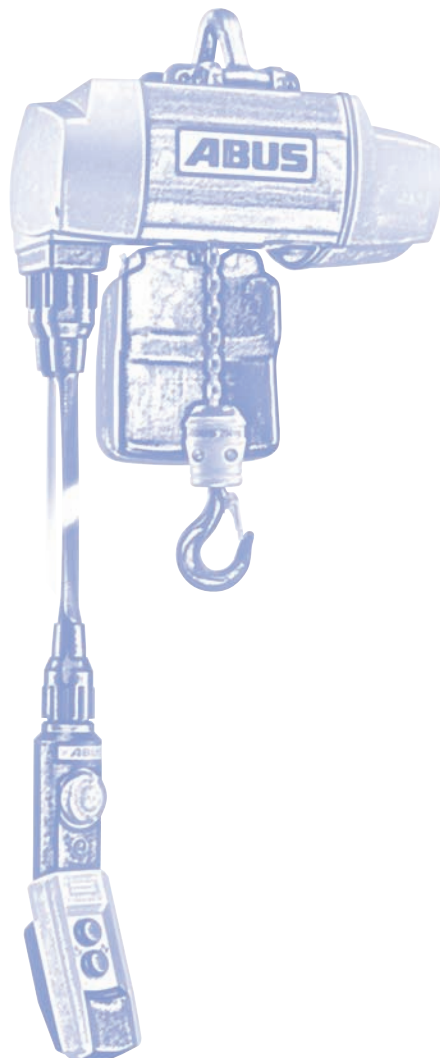
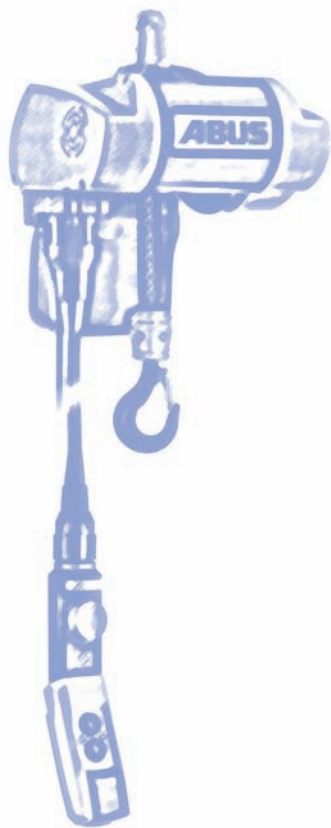




ABUCompact

- Product information
- Technical data



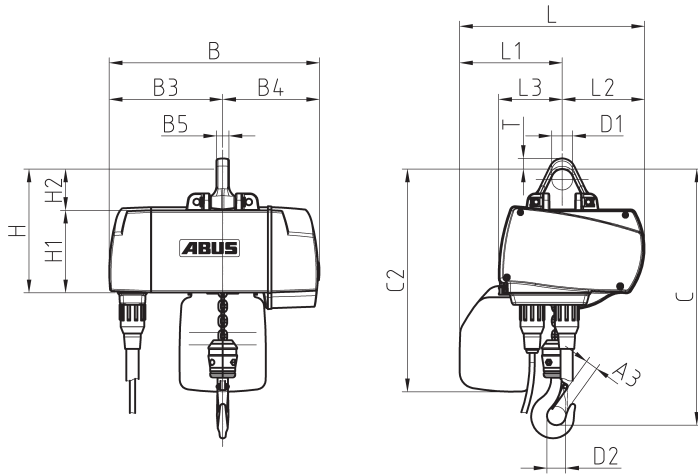
**Dimensioned sketches
ABUCompact GMC, GM2 and GM4**

Please fold page out

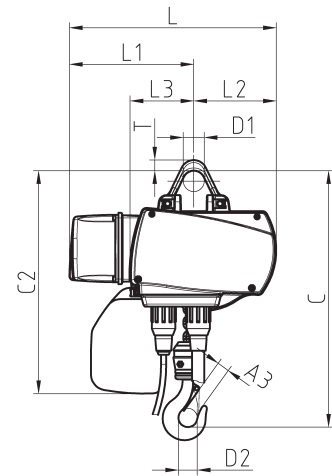
Dimensioned sketches of chain hoists

ABUCompact GMC, GM2 and GM4

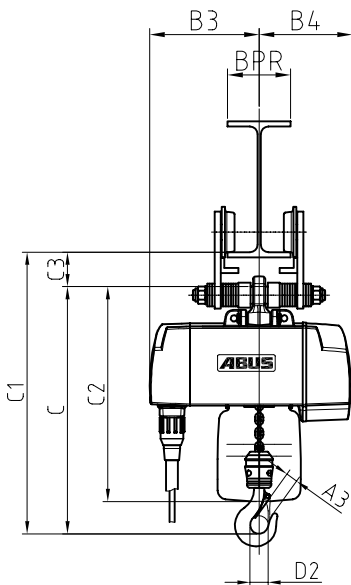
stationary



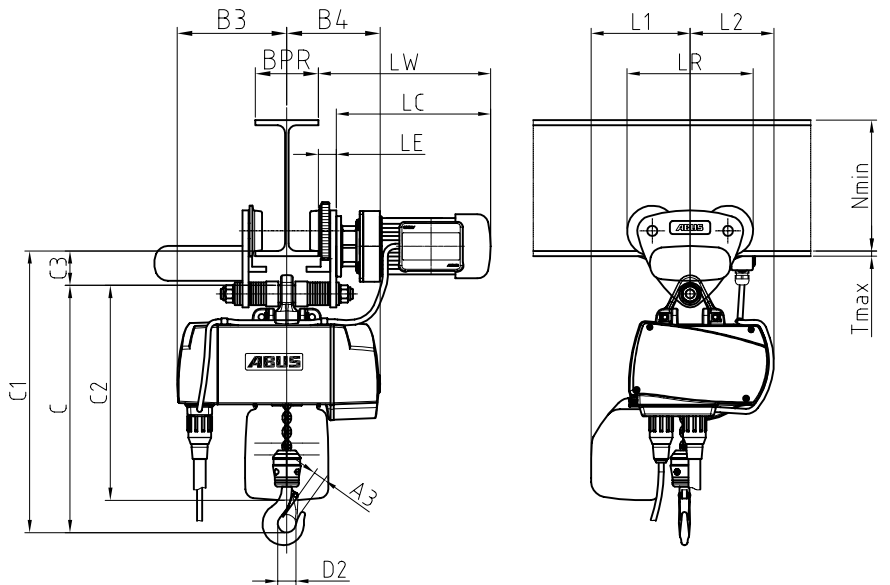
with additional housing



with HF push trolley



with EF electric trolley



Standard equipment

The new generation of ABUCompact chain hoists feature a fresh new design and convincing technical solutions. The 3 phase 400 volt hoists units are available in four different sizes to reliably handle loads from 80 kg through 4000 kg. The motor and the gear unit are of modular design, allowing us to produce a wide variety of versions for lifting speeds up to 20 m/min and FEM groups up to 4m at attractive prices.

ABUCompact GM2 to GM8

Scope of supply: electric chain hoist with pendant control handset and cable, ready to connect up to start work with its chain collector, chain and mains connection already fitted.

- hoist body finish painted RAL 5017 (traffic blue)
- hinged, removable suspension bracket
- operating voltage: 3-phase AC, 380 to 415 V, 50 Hz
- degree of protection IP 55, insulation class F
- control via pendant control handset complete with emergency stop button, degree of protection IP 65
- direct control
- alternatively 48 V electronic control with semiconductor technology for GM8
- quick plug-type connections with twist lock
- 2 lifting speeds (main and precision lift)
- overload protection with externally adjustable slipping clutch
- high-strength, galvanized profile steel chain with chain container
- hook path 3000 mm
- pendant control cable to suit hoist hook path

Details of the ABUS electric chain hoist range and introduction dates are given in the selection table. Why not take advantage of the additional features described from page 8 onwards.

The small GMC hoist rounds off the ABUCompact range. With infinitely variable lifting speed and a load capacity of 100 kg or 200 kg, this unit, supplied ready for connection to a 230 V power socket, is the ideal hoist for flexible and low capacity applications.



ABUCompact GMC

Scope of supply: electric chain hoist with pendant control handset and cable, ready to connect up to start work with its chain collector, chain, approximately 3 meters of mains power cable and connection already fitted.

- hoist body finish painted RAL 5017 (traffic blue)
- hinged, removable suspension bracket
- operating voltage: single-phase AC, 230 V, 50 Hz
- degree of protection IP 21, insulation class F
- control via pendant control handset complete with emergency stop button, degree of protection IP 65
- infinitely variable lifting speed
- overload protection by slipping clutch with fixed adjustment
- high-strength, galvanized round steel chain with chain container
- hook path 3000 mm
- pendant control cable to suit hoist hook path

Contents

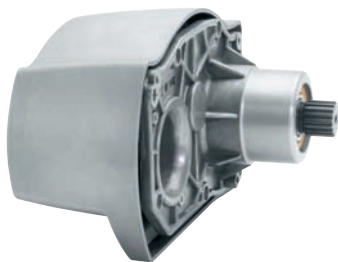
Page 3	Dimensioned sketches, ABUCompact GMC, GM2 and GM4
Page 4	Standard equipment
Page 5	Contents
Pages 6 and 7	Technical details – useful information on the ABUCompact GM2 to GM8
Pages 8 and 9	Optional extras – for more convenience ABUS trolleys
Page 10	An important subject: drive group (FEM group) selection
Page 11	Selection tables/type designations
Pages 12 – 14	ABUCompact GM2 to GM8 electric chain hoists
Page 15	Longer hook paths/control lines
Pages 16 and 17	Optional extras
Page 18	ABUCompact GMC electric chain hoists ABUS clamping buffers ABUS trolley current collectors
Page 19	ABUS festoon power supply system
Page 20	ABUS power supply system with mobile control
Page 21	ABUS safety conductor system
Pages 22 – 24	Weights and dimensions ABUCompact GM2 to GM8 electric chain hoists ABUCompact GMC electric chain hoists
Page 25	ABUS HF push trolleys
Pages 26 and 27	ABUS EF electric trolleys
Page 28	Safety hooks for use with ABUS electric chain hoists
Page 29	Fax enquiry and order form
Page 30	Drawings with dimensions, ABUCompact GM6 and GM8

Technical details

useful information on the ABUCompact GM2 to GM8

Standards and safety regulations

All ABUS chain hoists are designed and manufactured in accordance with the applicable EU directives and harmonized standards, as well as the BGV D8 accident prevention regulations and the German Equipment Safety Act.



Motor and gear unit

The motor and gear units are of modular design, allowing a variety of combinations for different lifting speeds. All the motors used are sturdy squirrel-cage units with 2-pole and 8-pole windings and the gear unit is separately encapsulated. This ensures considerable benefits for installation and maintenance. The permanently lubricated spur gear features bevelled gear wheels and roller bearings for smooth running.



2 lifting speeds

Two lifting speeds, one for fast lifting and one for precision positioning, are a standard feature. The speed ratio (precision:main lift) is 1:4 for the GM2, GM4 and GM6 and 1:6 for the GM8.



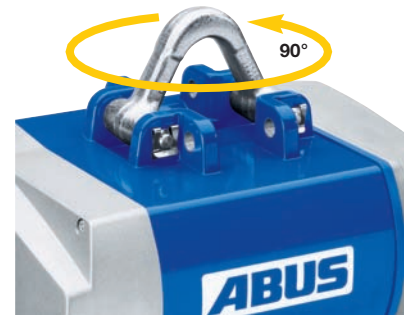
Integrated safety brake

The DC disk brake features asbestos-free brake linings with a long service life (a million braking operations up to the first adjustment). The adjustable brake is designed for a very short run-on.



Slipping clutch

The slipping clutch offers reliable protection against overloading. Special linings designed for minimum wear ensure high safety levels over the entire service life of the unit. The slipping clutch is designed for easy external adjustment.



Suspension bracket

The removable, hinged suspension bracket is designed for easy suspension and removal of the hoist. The bracket ensures that the hoist is positioned in a fixed direction. On GM2 and GM4 hoists, the bracket is designed for installation in two positions, with an angle of 90° between them. Without the suspension bracket, the hoist may also be rigidly fixed by other means. The reduced installation spacing then allows an increase in the lifting height.



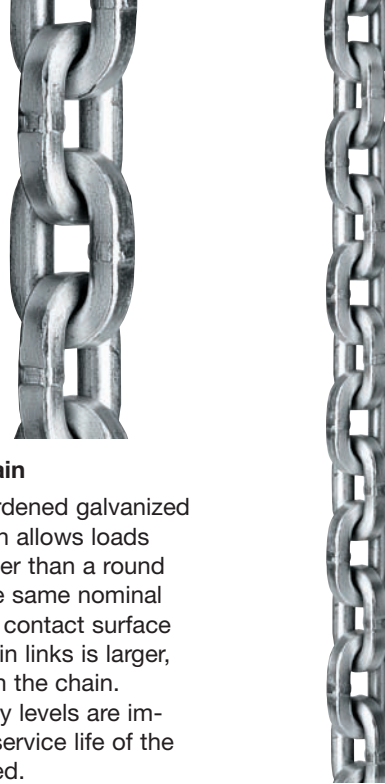
Chain system

The chain system consists of a high-precision chain sprocket entirely surrounded by the chain guide. Both the chain sprocket and the chain guide are of modular design, allowing easy replacement without the need to spend time and money dismantling the hoist to reach the parts.



Rotating hook block (single fall)

The hook block is designed to rotate on the chain. The hook and the hook block form a single, torsionally stable unit. The load can be effectively guided and oriented using a hand on the hook block.



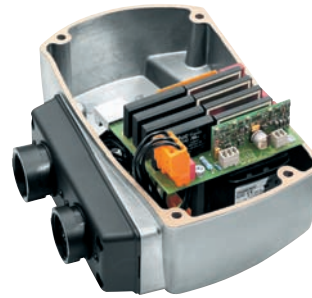
Profile steel chain

The specially hardened galvanized steel profile chain allows loads about 25 % higher than a round steel chain of the same nominal dimensions. The contact surface between the chain links is larger, reducing wear on the chain. In practice, safety levels are improved and the service life of the chain is prolonged.



Quick plug-type connectors

The power supply and the control unit are connected up using quick plug-type connectors with twist locks. The connection is firm and confusion is not possible. These connectors save time and make installation and maintenance work safer.



48 V electronic control system

The electronic control features no-wear semiconductor technology. This configuration allows considerable weight and space savings compared with mechanical contactors. (Standard equipment for GM8, optional for GM2, GM4 and GM6)



Sheathed control line

No additional strain relief devices are required with the new sheathed control line. Tensile forces are absorbed by the specially coated fabric of the sheath. The conductors inside the sheath can move freely and are effectively protected against mechanical damage.



Pendant control

ABUCompact hoists are controlled from ground level using ergonomically designed ABUCommander pendant controls with 2-stage push buttons and large emergency stop switches. The pendant control is connected using quick plug-type connectors with twist locks (bayonet locks).

Optional extras for MORE convenience



Operating hours meter

An operating hours meter allows a realistic assessment of the work actually performed by a hoist. The operating hours indicated can be used for calculating the remaining service life of the hoist in accordance with FEM 9.755. With an operating hours meter, longer safe working periods are normally possible.

48 V electronic control system for lifting and lowering

The electrical control system features advanced, no-wear semiconductor technology and is integrated in the hoist.

This configuration features considerable weight and space savings compared with conventional mechanical contactors. The control voltage is 48 V.



Alternative: electronic control system for lifting, lowering and trolley travel

Extended semiconductor electronic control system also incorporating trolley travel control functions. If this option is selected for a GM2 hoist, the control system is installed in an additional housing on the hoist.



ABUliner frequency converter for lifting and lowering

Infinitely variable speed control for the smooth handling of sensitive products such as glass or ceramics or long, bulky loads. The ABUliner also allows precise positioning for tricky assembly and joining operations.

For additional safety, the frequency converter features an electronic shut-down system with two programmable shut-down points that can be set via the pendant control.



Electronic limit switch (two positions)

The electronic limit switch features two programmable shut-down points for even safer operation. The shut-down points for highest and lowest hook position can be programmed individually using a teach-in button on the pendant control. When the shut-down point is reached, the lifting or lowering movement is stopped. This option is only available in combination with a 48 V electronic control system.

Alternative: limit switch with two additional switching points

This option features two additional switching points between the highest and lowest hook position. These can be used as stop-and-go points during operation.



Cruciform limit switch for trolley travel

These switches can be used to slow the trolley to a lower speed ahead of the end stops. When the trolley has passed the limit switch, it can be moved back in the other direction at low speed. This option is only available in combination with a contactor-type control system/ electronic control system.

Alternative: Deceleration to low trolley travel speed **followed by shut-down** at the end of trolley travel before the end stops are reached. When the trolley has passed the limit switch, it can be moved back in the other direction at high speed.



Additional power socket on hoist

This option includes an additional 5-pole (3/N/PE) power socket on the hoist for ancillary equipment. The socket is connected upstream from the emergency stop switch and the ancillary equipment therefore remains in operation following an emergency stop. Easy connection and disconnection is possible. Depending on the individual application, it may be necessary to provide a 5-pole power supply. (This option is not available in combination with an electric trolley.)



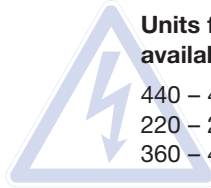
ABUS Mini-RC remote control unit

ABUS Mini-RC plug and play radio remote control unit for two-stage lifting and lowering for a range up to 25 m. The control unit consists of a lightweight hand-held transmitter with batteries and belt clip, an integrated horn, emergency stop switch and undervoltage detection system with buzzer. The receiver is designed for plug and play operation and can simply be plugged into the hoist instead of the pendant control. This option is only available in combination with a 48 V control system.

Alternative: Mini-RC for two-stage lifting and lowering **as well as trolley travel**. For radio remote control, cruciform limit switches are recommended for limiting trolley travel. For optimum operation, advance slow-down followed by shut-down is strongly recommended.

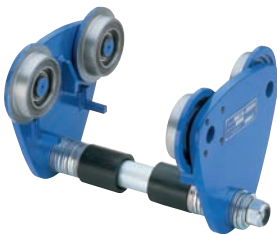


Units for special voltages available on request:



440 – 480 V / 60 Hz	208 – 230 V / 60 Hz
220 – 240 V / 50 Hz	550 – 600 V / 60 Hz
360 – 400 V / 60 Hz	460 – 500 V / 50 Hz

ABUS trolleys



ABUS HF push trolleys

- sturdy design with roller bearings
- virtually no maintenance required
- machined rollers
- fitted with drop stop and wheel climb prevention lugs
- colour RAL 5017 (traffic blue), suits many different chain hoist models
- adjustable for flange widths from 42 to 305 mm



ABUS EF electric trolleys

- sturdy design with roller bearings
- virtually no maintenance required
- speed 5/20 m/min
- high-quality standard drive system
- degree of protection IP 55
- durable electromechanical disk brake
- machined rollers
- fitted with drop stop and wheel climb prevention lugs
- colour RAL 5017 (traffic blue), suits many different chain hoist models
- adjustable for flange widths from 64 to 305 mm

An important subject: drive group (FEM group) selection

Apart from the type of hoist required, the load capacity, the hook path and the lifting speed, the drive or FEM group is one of the main criteria to consider when selecting a hoist. The drive group must be selected to ensure that the hoist is fit for use for its intended purpose.

Standard hoists are normally designed for a mean theoretical service life of 10 years, subject to operation in accordance with FEM 9.511. If the drive group selected is not appropriate in view of actual service conditions, the actual service life may be considerably shorter than 10 years. The results are excessive expenditure for maintenance, repairs and overhauls. In Germany, accident prevention regulations VBG D8 and D6 require hoist operators to determine the used-up portion of the theoretical service life during each regular inspection of the hoist. When the theoretical service life has elapsed, the hoist must be de-commissioned. Continued operation is only permitted if an inspector finds that there are no objections to continued operation and lays down conditions for operation. Normally, the inspector requires the hoist to be overhauled. The objective of these requirements is to ensure that each hoist is only operated within its safe working period (S.W.P.).

The following table indicates the theoretical service life D in hours for FEM groups 1 Bm, 1 Am, 2 m, 3 m and 4m.

	Drive group	1Bm/M3	1Am/M4	2m/M5	3m/M6	4m/M7
Line	Load population	Theoretical service life D (h)				
1	light	3 200	6 300	12 500	25 000	50 000
2	medium	1 600	3 200	6 300	12 500	25 000
3	heavy duty	800	1 600	3 200	6 300	12 500
4	very heavy duty	400	800	1 600	3 200	6 300

If the mean working time t_m and the load population are known, the correct drive group in accordance with DIN 15020 or FEM 9.755 can be selected using the following table.

Load population	Definition of load population	Mean working time t_m per working day in h					
1 (light)	($k \leq 0.50$) Only operated at maximum load in exceptional cases, mainly operated at very low load, small dead load		≤ 2	2 – 4	4 – 8	8 – 16	> 16
2 (medium)	($0.50 < k \leq 0.63$) operated quite frequently at maximum load, operated continuously at low load, medium dead load		≤ 1	1 – 2	2 – 4	4 – 8	8 – 16
3 (heavy duty)	($0.63 < k \leq 0.80$) operated frequently at maximum load, operated continuously at medium load, heavy dead load		≤ 0.5	0.5 – 1	1 – 2	2 – 4	4 – 8
4 (very heavy duty)	($0.80 < k \leq 1$) operated regularly at maximum load, very heavy dead load		≤ 0.25	0.25 – 0.5	0.5 – 1	1 – 2	2 – 4
Drive/FEM group in accordance with DIN 15020 or FEM 9.511			1Bm	1Am	2m	3m	4m

In addition to the mean working time per day, t_m (total average hours of operation of the hoist per day), the correct assessment of the load population is essential for selecting the appropriate drive group. The value t_m is given by the following equation:

$$t_m = \frac{2 \times \text{mean lifting height (m)} \times \text{load cycles (1/h)} \times \text{working time (h/day)}}{60 \text{ (min/h)} \times \text{lifting speed (m/min)}}$$

Mean lifting height

the average hook travel under actual operating conditions

Load cycles

the average number of lifting operations per hour. A load cycle consists of one lifting and one lowering operation, i.e. two hook movements (lifting operations with an empty hook as a result of process conditions must also be taken into account in determining load cycles, but also make the load population determined less severe.

Working time

average working time per day within which the average load cycles per hour are performed

Lifting speed

average lifting speed (normally the maximum lifting speed) at which the load cycles are performed.

The selection of the next highest FEM group results in a doubling of the theoretical service life if the operating conditions assumed remain unchanged.

Further information on this rather complex subject is given by FEM 9.755 and the fourth supplement to accident prevention regulation VBG 8 for winches, hoists and traction systems. We will also be pleased to send you our planning service form for selecting the correct FEM group as well as an article concerning the determination of remaining service life.

Selection table for electric chain hoists

(operating voltage 400 V, 50 Hz, 3-phase)

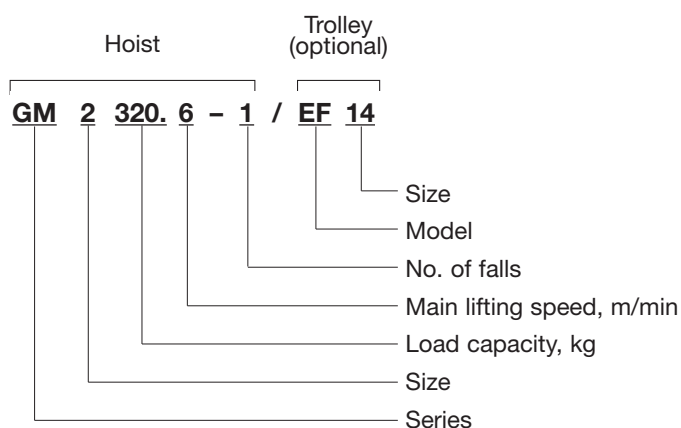
Main lift	3 m/min	4 m/min	5 m/min	6 m/min		8 m/min		10 m/min		12 m/min	16 m/min	20 m/min
No. of falls	2/1	2/1	2/1	1/1	2/1	1/1	2/1	1/1	2/1	1/1	1/1	1/1
Load capacity												
kg												
80				GM2 (4m)		GM2 (4m)		GM2 (4m)		GM2 (4m)	GM2 (4m)	GM2 (3m)
100				GM2 (4m)		GM2 (4m)		GM2 (4m)		GM2 (4m)	GM2 (3m)	GM2 (2m)
125				GM2 (4m)		GM2 (4m)		GM2 (4m)		GM2 (3m)	GM2 (2m)	
160	GM2 (4m)	GM2 (4m)	GM2 (4m)	GM2 (4m)	GM2 (4m)	GM2 (4m)	GM2 (4m)	GM2 (3m)	GM2 (3m)	GM2 (2m)		
200	GM2 (4m)	GM2 (4m)	GM2 (4m)	GM2 (3m)	GM2 (4m)	GM2 (3m)	GM2 (3m)	GM2 (2m)	GM2 (2m)			
250	GM2 (4m)	GM2 (4m)	GM2 (4m)	GM2 (2m)	GM2 (3m)	GM2 (2m)	GM2 (2m)	GM4 (4m)		GM4 (4m)	GM4 (3m)	GM4 (2m)
						GM4 (4m)						
320	GM2 (4m)	GM2 (4m)	GM2 (3m)	GM2 (1Am)	GM2 (2m)	GM4 (4m)		GM4 (4m)		GM4 (3m)	GM4 (2m)	
400	GM2 (3m)	GM2 (3m)	GM2 (2m)			GM4 (3m)		GM4 (3m)		GM4 (2m)		
500	GM2 (2m)	GM2 (2m)	GM4 (4m)		GM4 (4m)	GM4 (2m)	GM4 (3m)	GM4 (2m)	GM4 (2m)			
		GM4 (4m)										
630	GM2 (1Am)	GM4 (4m)	GM4 (4m)	GM6 (4m)	GM4 (3m)	GM4 (1Am)	GM4 (2m)	GM6 (4m)		GM6 (3m)	GM6 (3m)	
						GM6 (4m)						
800		GM4 (3m)	GM4 (3m)	GM6 (3m)	GM4 (2m)	GM6 (3m)		GM6 (3m)		GM6 (2m)	GM8 (3m)	GM8 (2m)
						GM8 (3m)		GM8 (3m)		GM8 (3m)		
1000		GM4 (2m)	GM4 (2m)	GM6 (2m)		GM6 (2m)		GM6 (2m)		GM8 (3m)	GM8 (2m)	
						GM8 (3m)		GM8 (3m)				
1250	GM6 (4m)	GM4 (1Am)	GM6 (4m)	GM6 (1Am)	GM6 (3m)	GM6 (1Am)	GM6 (3m)	GM8 (2m)		GM8 (2m)		
		GM6 (4m)				GM8 (3m)						
1600	GM6 (3m)	GM6 (3m)	GM6 (3m)		GM6 (2m)	GM8 (2m)	GM8 (3m)	GM8 (1Am)	GM8 (2m)			
		GM8 (3m)	GM8 (3m)		GM8 (3m)							
2000	GM6 (2m)	GM6 (2m)	GM6 (2m)		GM8 (3m)	GM8 (1Am)	GM8 (2m)					
		GM8 (3m)	GM8 (3m)									
2500	GM6 (1Am)	GM6 (1Am)	GM8 (2m)		GM8 (2m)							
		GM8 (3m)										
3200		GM8 (2m)	GM8 (1Am)									
4000		GM8 (1Am)										

Selection table for electric chain hoists

(operating voltage 230 V, 50 Hz, 1-phase)

Main lift	6 m/min (infinitely variable)	12 m/min (infinitely variable)
No. of falls	2/1	1/1
Load capacity		
kg		
100		GMC (1Am)
200	GMC (1Am)	

Type designation



ABUCompact GM2 to GM8 electric chain hoists

(operating voltage 400 V, 50 Hz, 3-phase)

¹⁾ Duty cycle, %

Load capacity kg	Lifting speed m/min	FEM/ISO group	Model	No. of falls	Hook	Motor			With push trolley	With electric trolley
						kw	%ED ¹⁾	c/h	Model	Model
80	1,5 / 6	4m / M7	GM2 80.6-1	1	012	0,09 / 0,35	60	360	HF 3	EF 14
80	2 / 8	4m / M7	GM2 80.8-1	1	012	0,09 / 0,35	60	360	HF 3	EF 14
80	2,5 / 10	4m / M7	GM2 80.10-1	1	012	0,09 / 0,35	60	360	HF 3	EF 14
80	3 / 12	4m / M7	GM2 80.12-1	1	012	0,09 / 0,35	60	360	HF 3	EF 14
80	4 / 16	4m / M7	GM2 80.16-1	1	012	0,09 / 0,35	60	360	HF 3	EF 14
80	5 / 20	3m / M6	GM2 80.20-1	1	012	0,09 / 0,35	60	360	HF 3	EF 14
100	1,5 / 6	4m / M7	GM2 100.6-1	1	012	0,09 / 0,35	60	360	HF 3	EF 14
100	2 / 8	4m / M7	GM2 100.8-1	1	012	0,09 / 0,35	60	360	HF 3	EF 14
100	2,5 / 10	4m / M7	GM2 100.10-1	1	012	0,09 / 0,35	60	360	HF 3	EF 14
100	3 / 12	4m / M7	GM2 100.12-1	1	012	0,09 / 0,35	60	360	HF 3	EF 14
100	4 / 16	3m / M6	GM2 100.16-1	1	012	0,09 / 0,35	60	360	HF 3	EF 14
100	5 / 20	2m / M5	GM2 100.20-1	1	012	0,09 / 0,35	60	360	HF 3	EF 14
125	1,5 / 6	4m / M7	GM2 125.6-1	1	012	0,09 / 0,35	60	360	HF 3	EF 14
125	2 / 8	4m / M7	GM2 125.8-1	1	012	0,09 / 0,35	60	360	HF 3	EF 14
125	2,5 / 10	4m / M7	GM2 125.10-1	1	012	0,09 / 0,35	60	360	HF 3	EF 14
125	3 / 12	3m / M6	GM2 125.12-1	1	012	0,09 / 0,35	60	360	HF 3	EF 14
125	4 / 16	2m / M5	GM2 125.16-1	1	012	0,09 / 0,35	60	360	HF 3	EF 14
160	1,5 / 6	4m / M7	GM2 160.6-1	1	012	0,09 / 0,35	60	360	HF 3	EF 14
160	2 / 8	4m / M7	GM2 160.8-1	1	012	0,09 / 0,35	60	360	HF 3	EF 14
160	2,5 / 10	3m / M6	GM2 160.10-1	1	012	0,09 / 0,35	60	360	HF 3	EF 14
160	3 / 12	2m / M5	GM2 160.12-1	1	012	0,09 / 0,35	60	360	HF 3	EF 14
160	0,8 / 3	4m / M7	GM2 160.3-2	2	05	0,09 / 0,35	60	360	HF 3	EF 14
160	1 / 4	4m / M7	GM2 160.4-2	2	05	0,09 / 0,35	60	360	HF 3	EF 14
160	1,3 / 5	4m / M7	GM2 160.5-2	2	05	0,09 / 0,35	60	360	HF 3	EF 14
160	1,5 / 6	4m / M7	GM2 160.6-2	2	05	0,09 / 0,35	60	360	HF 3	EF 14
160	2 / 8	4m / M7	GM2 160.8-2	2	05	0,09 / 0,35	60	360	HF 3	EF 14
160	2,5 / 10	3m / M6	GM2 160.10-2	2	05	0,09 / 0,35	60	360	HF 3	EF 14
200	1,5 / 6	3m / M6	GM2 200.6-1	1	012	0,09 / 0,35	60	360	HF 3	EF 14
200	2 / 8	3m / M6	GM2 200.8-1	1	012	0,09 / 0,35	60	360	HF 3	EF 14
200	2,5 / 10	2m / M5	GM2 200.10-1	1	012	0,09 / 0,35	60	360	HF 3	EF 14
200	0,8 / 3	4m / M7	GM2 200.3-2	2	05	0,09 / 0,35	60	360	HF 3	EF 14
200	1 / 4	4m / M7	GM2 200.4-2	2	05	0,09 / 0,35	60	360	HF 3	EF 14
200	1,3 / 5	4m / M7	GM2 200.5-2	2	05	0,09 / 0,35	60	360	HF 3	EF 14
200	1,5 / 6	4m / M7	GM2 200.6-2	2	05	0,09 / 0,35	60	360	HF 3	EF 14
200	2 / 8	3m / M6	GM2 200.8-2	2	05	0,09 / 0,35	60	360	HF 3	EF 14
200	2,5 / 10	2m / M5	GM2 200.10-2	2	05	0,09 / 0,35	60	360	HF 3	EF 14
250	1,5 / 6	2m / M5	GM2 250.6-1	1	012	0,09 / 0,35	60	360	HF 3	EF 14
250	2 / 8	2m / M5	GM2 250.8-1	1	012	0,09 / 0,35	60	360	HF 3	EF 14
250	0,8 / 3	4m / M7	GM2 250.3-2	2	05	0,09 / 0,35	60	360	HF 3	EF 14
250	1 / 4	4m / M7	GM2 250.4-2	2	05	0,09 / 0,35	60	360	HF 3	EF 14
250	1,3 / 5	4m / M7	GM2 250.5-2	2	05	0,09 / 0,35	60	360	HF 3	EF 14
250	1,5 / 6	3m / M6	GM2 250.6-2	2	05	0,09 / 0,35	60	360	HF 3	EF 14
250	2 / 8	2m / M5	GM2 250.8-2	2	05	0,09 / 0,35	60	360	HF 3	EF 14
250	2 / 8	4m / M7	GM4 250.8-1	1	025	0,22 / 0,9	60	360	HF 3	EF 14
250	2,5 / 10	4m / M7	GM4 250.10-1	1	025	0,22 / 0,9	60	360	HF 3	EF 14
250	3 / 12	4m / M7	GM4 250.12-1	1	025	0,22 / 0,9	60	360	HF 3	EF 14
250	4 / 16	3m / M6	GM4 250.16-1	1	025	0,22 / 0,9	60	360	HF 3	EF 14
250	5 / 20	2m / M5	GM4 250.20-1	1	025	0,22 / 0,9	60	360	HF 3	EF 14

Load capacity kg	Lifting speed m/min	FEM/ISO group	Model	No. of falls	Hook	Motor			With push trolley	With electric trolley
						kw	%ED ¹⁾	c/h	Model	Model
320	1,5 / 6	1Am / M4	GM2 320.6-1	1	025	0,09/0,35	60	360	HF 6	EF 14
320	0,8 / 3	4m / M7	GM2 320.3-2	2	05	0,09/0,35	60	360	HF 6	EF 14
320	1 / 4	4m / M7	GM2 320.4-2	2	05	0,09/0,35	60	360	HF 6	EF 14
320	1,3 / 5	3m / M6	GM2 320.5-2	2	05	0,09/0,35	60	360	HF 6	EF 14
320	1,5 / 6	2m / M5	GM2 320.6-2	2	05	0,09/0,35	60	360	HF 6	EF 14
320	2 / 8	4m / M7	GM4 320.8-1	1	025	0,22/0,9	60	360	HF 6	EF 14
320	2,5 / 10	4m / M7	GM4 320.10-1	1	025	0,22/0,9	60	360	HF 6	EF 14
320	3 / 12	3m / M6	GM4 320.12-1	1	025	0,22/0,9	60	360	HF 6	EF 14
320	4 / 16	2m / M5	GM4 320.16-1	1	025	0,22/0,9	60	360	HF 6	EF 14
400	0,8 / 3	3m / M6	GM2 400.3-2	2	05	0,09/0,35	60	360	HF 6	EF 14
400	1 / 4	3m / M6	GM2 400.4-2	2	05	0,09/0,35	60	360	HF 6	EF 14
400	1,3 / 5	2m / M5	GM2 400.5-2	2	05	0,09/0,35	60	360	HF 6	EF 14
400	2 / 8	3m / M6	GM4 400.8-1	1	025	0,22/0,9	60	360	HF 6	EF 14
400	2,5 / 10	3m / M6	GM4 400.10-1	1	025	0,22/0,9	60	360	HF 6	EF 14
400	3 / 12	2m / M5	GM4 400.12-1	1	025	0,22/0,9	60	360	HF 6	EF 14
500	0,8 / 3	2m / M5	GM2 500.3-2	2	05	0,09/0,35	60	360	HF 6	EF 14
500	1 / 4	2m / M5	GM2 500.4-2	2	05	0,09/0,35	60	360	HF 6	EF 14
500	2 / 8	2m / M5	GM4 500.8-1	1	025	0,22/0,9	60	360	HF 6	EF 14
500	2,5 / 10	2m / M5	GM4 500.10-1	1	025	0,22/0,9	60	360	HF 6	EF 14
500	1 / 4	4m / M7	GM4 500.4-2	2	05	0,22/0,9	60	360	HF 6	EF 14
500	1,3 / 5	4m / M7	GM4 500.5-2	2	05	0,22/0,9	60	360	HF 6	EF 14
500	1,5 / 6	4m / M7	GM4 500.6-2	2	05	0,22/0,9	60	360	HF 6	EF 14
500	2 / 8	3m / M6	GM4 500.8-2	2	05	0,22/0,9	60	360	HF 6	EF 14
500	2,5 / 10	2m / M5	GM4 500.10-2	2	05	0,22/0,9	60	360	HF 6	EF 14
630	0,8 / 3	1Am / M4	GM2 630.3-2	2	05	0,09/0,35	60	360	HF 14	EF 14
630	2 / 8	1Am / M4	GM4 630.8-1	1	025	0,22/0,9	60	360	HF 14	EF 14
630	1 / 4	4m / M7	GM4 630.4-2	2	05	0,22/0,9	60	360	HF 14	EF 14
630	1,3 / 5	4m / M7	GM4 630.5-2	2	05	0,22/0,9	60	360	HF 14	EF 14
630	1,5 / 6	3m / M6	GM4 630.6-2	2	05	0,22/0,9	60	360	HF 14	EF 14
630	2 / 8	2m / M5	GM4 630.8-2	2	05	0,22/0,9	60	360	HF 14	EF 14
630	1,5 / 6	4m / M7	GM6 630.6-1	1	05	0,4/1,7	50	300	HF 14	EF 14
630	2 / 8	4m / M7	GM6 630.8-1	1	05	0,4/1,7	50	300	HF 14	EF 14
630	2,5 / 10	4m / M7	GM6 630.10-1	1	05	0,4/1,7	50	300	HF 14	EF 14
630	3 / 12	3m / M6	GM6 630.12-1	1	05	0,4/1,7	50	300	HF 14	EF 14
630	4 / 16	3m / M6	GM6 630.16-1	1	05	0,4/1,7	50	300	HF 14	EF 14
800	1 / 4	3m / M6	GM4 800.4-2	2	05	0,22/0,9	60	360	HF 14	EF 14
800	1,3 / 5	3m / M6	GM4 800.5-2	2	05	0,22/0,9	60	360	HF 14	EF 14
800	1,5 / 6	2m / M5	GM4 800.6-2	2	05	0,22/0,9	60	360	HF 14	EF 14
800	1,5 / 6	3m / M6	GM6 800.6-1	1	05	0,4/1,7	50	300	HF 14	EF 14
800	2 / 8	3m / M6	GM6 800.8-1	1	05	0,4/1,7	50	300	HF 14	EF 14
800	2,5 / 10	3m / M6	GM6 800.10-1	1	05	0,4/1,7	50	300	HF 14	EF 14
800	3 / 12	2m / M5	GM6 800.12-1	1	05	0,4/1,7	50	300	HF 14	EF 14
800	1,3 / 8	3m / M6	GM8 800.8-1	1	05	0,75/3	50	300	HF 22	EF 22
800	1,7 / 10	3m / M6	GM8 800.10-1	1	05	0,75/3	50	300	HF 22	EF 22
800	2 / 12	3m / M6	GM8 800.12-1	1	05	0,75/3	50	300	HF 22	EF 22
800	2,7 / 16	3m / M6	GM8 800.16-1	1	05	0,75/3	50	300	HF 22	EF 22
800	3,3 / 20	2m / M5	GM8 800.20-1	1	05	0,75/3	40	240	HF 22	EF 22

¹⁾ Duty cycle, %

ABUCompact GM2 to GM8 electric chain hoists

(operating voltage 400 V, 50 Hz, 3-phase)

¹⁾ Duty cycle, %

Load capacity kg	Lifting speed m/min	FEM/ISO group	Model	No. of falls	Hook	Motor			With push trolley	With electric trolley
						kw	%ED ¹⁾	c/h	Model	Model
1000	1 / 4	2m / M5	GM4 1000.4-2	2	05	0,22/0,9	60	360	HF 14	EF 14
1000	1,3 / 5	2m / M5	GM4 1000.5-2	2	05	0,22/0,9	60	360	HF 14	EF 14
1000	1,5 / 6	2m / M5	GM6 1000.6-1	1	05	0,4/1,7	50	300	HF 14	EF 14
1000	2 / 8	2m / M5	GM6 1000.8-1	1	05	0,4/1,7	50	300	HF 14	EF 14
1000	2,5 / 10	2m / M5	GM6 1000.10-1	1	05	0,4/1,7	50	300	HF 14	EF 14
1000	1,3 / 8	3m / M6	GM8 1000.8-1	1	05	0,75/3	50	300	HF 22	EF 22
1000	1,7 / 10	3m / M6	GM8 1000.10-1	1	05	0,75/3	50	300	HF 22	EF 22
1000	2 / 12	3m / M6	GM8 1000.12-1	1	05	0,75/3	50	300	HF 22	EF 22
1000	2,7 / 16	2m / M5	GM8 1000.16-1	1	05	0,75/3	40	240	HF 22	EF 22
1250	1 / 4	1Am / M4	GM4 1250.4-2	2	05	0,22/0,9	60	360	HF 14	EF 14
1250	1,5 / 6	1Am / M4	GM6 1250.6-1	1	05	0,4/1,7	50	300	HF 14	EF 14
1250	2 / 8	1Am / M4	GM6 1250.8-1	1	05	0,4/1,7	50	300	HF 14	EF 14
1250	0,8 / 3	4m / M7	GM6 1250.3-2	2	1	0,4/1,7	50	300	HF 14	EF 14
1250	1 / 4	4m / M7	GM6 1250.4-2	2	1	0,4/1,7	50	300	HF 14	EF 14
1250	1,3 / 5	4m / M7	GM6 1250.5-2	2	1	0,4/1,7	50	300	HF 14	EF 14
1250	1,5 / 6	3m / M6	GM6 1250.6-2	2	1	0,4/1,7	50	300	HF 14	EF 14
1250	2 / 8	3m / M6	GM6 1250.8-2	2	1	0,4/1,7	50	300	HF 14	EF 14
1250	1,3 / 8	3m / M6	GM8 1250.8-1	1	05	0,75/3	50	300	HF 22	EF 22
1250	1,7 / 10	2m / M5	GM8 1250.10-1	1	05	0,75/3	40	240	HF 22	EF 22
1250	2 / 12	2m / M5	GM8 1250.12-1	1	05	0,75/3	40	240	HF 22	EF 22
1600	0,8 / 3	3m / M6	GM6 1600.3-2	2	1	0,4/1,7	50	300	HF 22	EF 22
1600	1 / 4	3m / M6	GM6 1600.4-2	2	1	0,4/1,7	50	300	HF 22	EF 22
1600	1,3 / 5	3m / M6	GM6 1600.5-2	2	1	0,4/1,7	50	300	HF 22	EF 22
1600	1,5 / 6	2m / M5	GM6 1600.6-2	2	1	0,4/1,7	50	300	HF 22	EF 22
1600	1,3 / 8	2m / M5	GM8 1600.8-1	1	05	0,75/3	40	240	HF 22	EF 22
1600	1,7 / 10	1Am / M4	GM8 1600.10-1	1	05	0,75/3	40	240	HF 22	EF 22
1600	0,7 / 4	3m / M6	GM8 1600.4-2	2	1	0,75/3	50	300	HF 22	EF 22
1600	0,8 / 5	3m / M6	GM8 1600.5-2	2	1	0,75/3	50	300	HF 22	EF 22
1600	1 / 6	3m / M6	GM8 1600.6-2	2	1	0,75/3	50	300	HF 22	EF 22
1600	1,3 / 8	3m / M6	GM8 1600.8-2	2	1	0,75/3	50	300	HF 22	EF 22
1600	1,7 / 10	2m / M5	GM8 1600.10-2	2	1	0,75/3	40	240	HF 22	EF 22
2000	0,8 / 3	2m / M5	GM6 2000.3-2	2	1	0,4/1,7	50	300	HF 22	EF 22
2000	1 / 4	2m / M5	GM6 2000.4-2	2	1	0,4/1,7	50	300	HF 22	EF 22
2000	1,3 / 5	2m / M5	GM6 2000.5-2	2	1	0,4/1,7	50	300	HF 22	EF 22
2000	1,3 / 8	1Am / M4	GM8 2000.8-1	1	05	0,75/3	40	240	HF 22	EF 22
2000	0,7 / 4	3m / M6	GM8 2000.4-2	2	1	0,75/3	50	300	HF 22	EF 22
2000	0,8 / 5	3m / M6	GM8 2000.5-2	2	1	0,75/3	50	300	HF 22	EF 22
2000	1 / 6	3m / M6	GM8 2000.6-2	2	1	0,75/3	50	300	HF 22	EF 22
2000	1,3 / 8	2m / M5	GM8 2000.8-2	2	1	0,75/3	40	240	HF 22	EF 22
2500	0,8 / 3	1Am / M4	GM6 2500.3-2	2	1	0,4/1,7	50	300	HF 36	EF 36
2500	1 / 4	1Am / M4	GM6 2500.4-2	2	1	0,4/1,7	50	300	HF 36	EF 36
2500	0,7 / 4	3m / M6	GM8 2500.4-2	2	1	0,75/3	50	300	HF 36	EF 36
2500	0,8 / 5	2m / M5	GM8 2500.5-2	2	1	0,75/3	40	240	HF 36	EF 36
2500	1 / 6	2m / M5	GM8 2500.6-2	2	1	0,75/3	40	240	HF 36	EF 36
3200	0,7 / 4	2m / M5	GM8 3200.4-2	2	1	0,75/3	40	240	HF 36	EF 36
3200	0,8 / 5	1Am / M4	GM8 3200.5-2	2	1	0,75/3	40	240	HF 36	EF 36
4000	0,7 / 4	1Am / M4	GM8 4000.4-2	2	1	0,75/3	40	240	HF 50	EF 50

Longer hook paths/control cables

Model	No. of falls	Hook path mm	Chain container- size
GM2	1	3000	1
GM2	1	4000	3
GM2	1	5000	3
GM2	1	6000	3
GM2	1	8000	3
GM2	1	10000	3
GM2	1	12000	4
GM2	1	16000	4
GM2	1	20000	4
GM2	1	24000	4
GM2	1	32000	6
GM2	2	3000	3
GM2	2	4000	3
GM2	2	5000	3
GM2	2	6000	4
GM2	2	8000	4
GM2	2	10000	4
GM2	2	12000	4
GM2	2	16000	6
GM4	1	3000	3
GM4	1	4000	3
GM4	1	5000	4
GM4	1	6000	4
GM4	1	8000	4
GM4	1	10000	4
GM4	1	12000	6
GM4	1	16000	6
GM4	1	20000	6
GM4	1	24000	6
GM4	1	32000	7
GM4	1	50000	7
GM4	2	3000	4
GM4	2	4000	4
GM4	2	5000	4
GM4	2	6000	6
GM4	2	8000	6
GM4	2	10000	6
GM4	2	12000	6
GM4	2	16000	7
GM4	2	25000	7
GM6	1	3000	5
GM6	1	4000	5
GM6	1	5000	5
GM6	1	6000	5
GM6	1	8000	5
GM6	1	10000	6
GM6	1	12000	6
GM6	1	16000	6
GM6	1	20000	6
GM6	1	24000	7
GM6	1	32000	7
GM6	1	35000	7
GM6	2	3000	5
GM6	2	4000	5
GM6	2	5000	6
GM6	2	6000	6
GM6	2	8000	6
GM6	2	10000	6
GM6	2	12000	7
GM6	2	16000	7
GM6	2	17500	7
GM8	1	3000	7
GM8	1	4000	7
GM8	1	5000	7
GM8	1	6000	7
GM8	1	8000	8
GM8	1	10000	8
GM8	1	12000	8
GM8	1	16000	8
GM8	1	20000	8
GM8	1	32000	8-600
GM8	2	3000	7
GM8	2	4000	8
GM8	2	5000	8
GM8	2	6000	8
GM8	2	8000	8
GM8	2	10000	8
GM8	2	16000	8-600

The control cable length is in accordance with the hook path. In case the hook path length required is in between two standard hook paths available the next higher standard hook path will be supplied.

Optional extras

Based on standard hoists:

stationary type, pendant control for lifting/lowering, control from trolley, operating voltage 3~380-415 V/50 Hz

GM2, GM4, GM6: direct control

GM8: 48 V electronic control

Possible scope of supply:

X Can be supplied as additional equipment, additional charge applies

(Z) Chain hoist with additional housing for extended electric/electronic equipment; please note larger installation dimensions!

- not available

Options (Equipment package)	Electric movements H/S Lifting/lowering H/S/KF Lifting/lowering/ trolley travelling	Possible scope of supply				Notes on scope of supply
		GM2	GM4	GM6	GM8	
Additional connector plug for auxiliary equipment, 3 ph/N/PE	H/S	X	X	X	-	5-pole power supply required
Electric trolley travelling control extension	H/S/KF	X	X	X	X	Pendant control with additional buttons, trolley motor cable, electrical system, GM8 with 48 V electronic control
48 V electronic control	H/S	X	X	X	standard	electronic semiconductor control
	H/S/KF	X (Z)	X	X	standard	

Hoist limit switch

electronic							
2 shut-down points	H/S	X	X	X	X	Pendant control with teach-in button. Alternative: teach-in connector, incl. 48 V electronic control	
	H/S/KF	X (Z)	X (Z)	X	X		
electromechanic							
2 shut-down points	H/S	-	X	X	X	Version for external control; supply without control cable and without push button pendant	
	H/S/KF	-	X	X	X		
4 shut-down points	H/S	-	X	X	X		
	H/S/KF	-	X	X	X		
ABUliner frequency converter	H/S	X (Z)	X (Z)	X (Z)	X (Z)	Infinitely variable lifting speed, incl. electronic hoist limit switch	
	H/S/KF	on request	on request	on request	on request		

Radio remote control

Type Mini-RC2	H/S	X	X	X	X	incl. 48 V electronic control and alarm horn; push button pendant for emergency control
Range: up to approx. 25 m	H/S/KF	X (Z)	X	X	X	incl. 48 V electronic control, trolley travel limit switch and alarm horn; push button pendant for emergency control
Type Cubix	H/S	X	X	X	X	incl. 48 V electronic control and alarm horn; push button pendant for emergency control
Range: up to approx. 35 m	H/S/KF	X (Z)	X	X	X	incl. 48 V electronic control, trolley travel limit switch and alarm horn; push button pendant for emergency control
Special voltages	H/S H/S/KF	on request	on request	on request	on request	Additional equipment for special voltages only on request

Options (individual)	Electric movements H/S Lifting/lowering H/S/KF Lifting/lowering/ trolley travelling	Possible scope of supply				Requirements
		GM2	GM4	GM6	GM8	
Operating hours meter	H/S H/S/KF	X	X	X	X	
Control via operational element on hook (larger C dimensions)						GM2 with direct control or 48 V electronic control; GM4 only with 48 V electronic control
Hook path 3000 mm	H/S	X	X	-	-	Chain hoist single fall max. load capacity 250 kg
Hook path 4000 mm	H/S	X	X	-	-	
Hook path 5000 mm	H/S	X	X	-	-	
Safety hook (larger C dimensions)						
single fall	H/S H/S/KF	X	X	X	X	
double fall	H/S H/S/KF	X	X	-	-	
Retrofitting radio remote control						Chain hoist with 48 V electronic control
Type Mini-RC2	H/S	X	X	X	X	
Range up to approx. 25 m	H/S/KF	X (Z)	X	X	X	trolley travel limit switch required
Type Cubix	H/S	X	X	X	X	
Range up to approx. 35 m	H/S/KF	X (Z)	X	X	X	trolley travel limit switch required
Trolley travel limit switch	H/S/KF	X	X	X	X	Chain hoist with 48 V electronic control/contactor-type control

Possible scope of supply:

X Can be supplied as additional equipment, additional charge applies

(Z) Chain hoist with additional housing for extended electric/electronic equipment; please note larger installation dimensions!

- not available

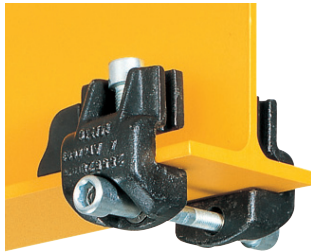
Reduced equipment	Electric movements H/S Lifting/lowering H/S/KF Lifting/lowering/ trolley travelling	Possible scope of supply				Notes on scope of supply
		GM2	GM4	GM6	GM8	
No pendant control, no control cable	H/S H/S/KF	X	X	X	X	
External control	H/S H/S/KF	X	X	X	X	with connector plug for external control, without control cable, without push button pendant

ABUCompact GMC electric chain hoists (operating voltage 230 V, 50 Hz, 1-phase)

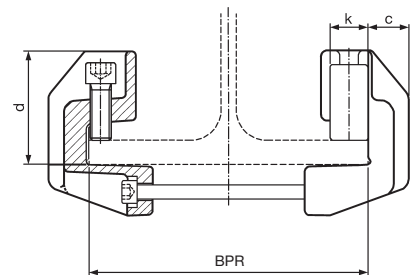
¹⁾ Duty cycle, %

Load capacity kg	Lifting speed m/min	FEM/ISO group	Model	No. of falls	Hook path m	Hook	Motor			With push trolley Model
							kW	%ED ¹⁾	c/h	
100	0.7 / 12	1Am / M4	GMC 100.12-1	1	3	012	0.43	40	240	HF 3
					6					
					10					
					20					
200	0.3 / 6	1Am / M4	GMC 200.6-2	2	3	025	0.43	40	240	HF 3
					6					
					10					

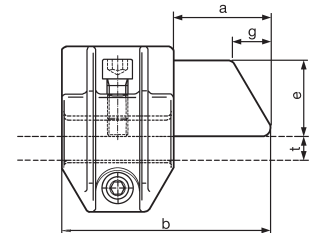
ABUS clamping buffers



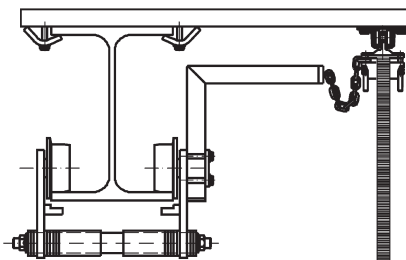
Selection table for shaped clamping buffers								
Type Size	Dimensions, mm							Weight kg
	b	c	d	Rubber				
				a	e	g	k	
alpha	110	20	63	45	40	15	26	2.6
beta	170	32	90	80	60	35	30	5.9



Type Size	Beam		For use with ABUS electric chain hoists	Ref.
	BPR mm	t mm		
alpha	64 – 120	≤ 20.5	ABUCompact GMC to GM8, up to 2.5 t load capacity	37329
	121 – 190	≤ 20.5		37434
	191 – 243	≤ 20.5		37435
	244 – 300	≤ 20.5		37443
beta	110 – 160	≤ 30.0	ABUCompact GM6/GM8 from 2.5 t to 4 t load capacity	37444
	161 – 230	≤ 30.0		37445
	231 – 283	≤ 30.0		37446
	284 – 340	≤ 30.0		37447



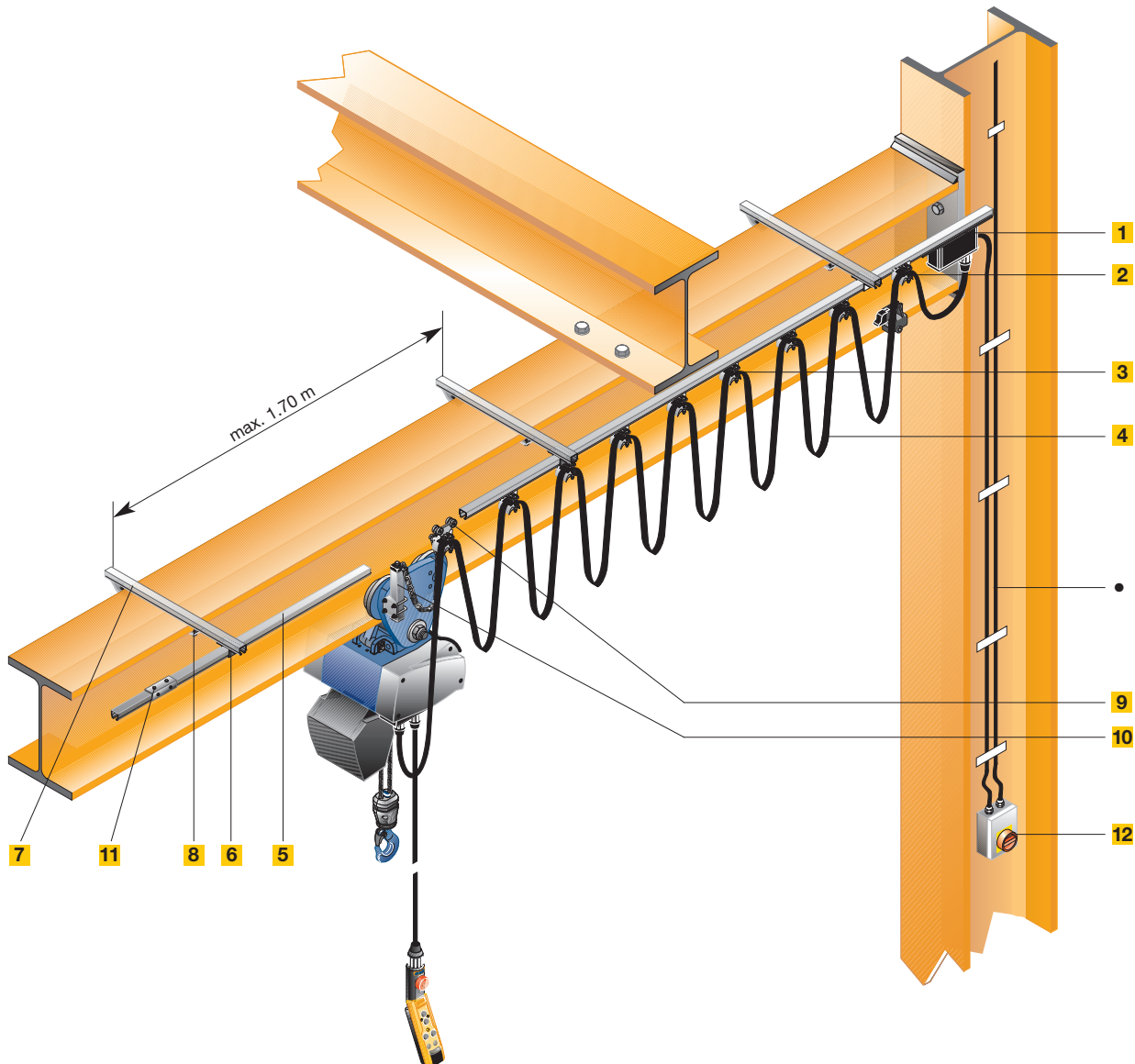
ABUS trolley current collectors



Weight kg	Ref.
3.5	11898

ABUS festoon power supply system*

* for track lengths up to 30 m



Standard equipment

- 1** Transitional terminal box (flat/round cable)
- 2** End clamp
- 3** Flat cable carrier
- 4** Flat cable

- 5** Rail
- 6** Rail support
- 7** Mounting console
- 8** Clamping brackets

- 9** Current collector carrier
- 10** Trolley current collector
- 11** Rail connector
- 12** Mains switch

Fixed components

Transitional terminal box, end clamp, current collector carrier, mains switch, trolley current collector

Length-dependent components

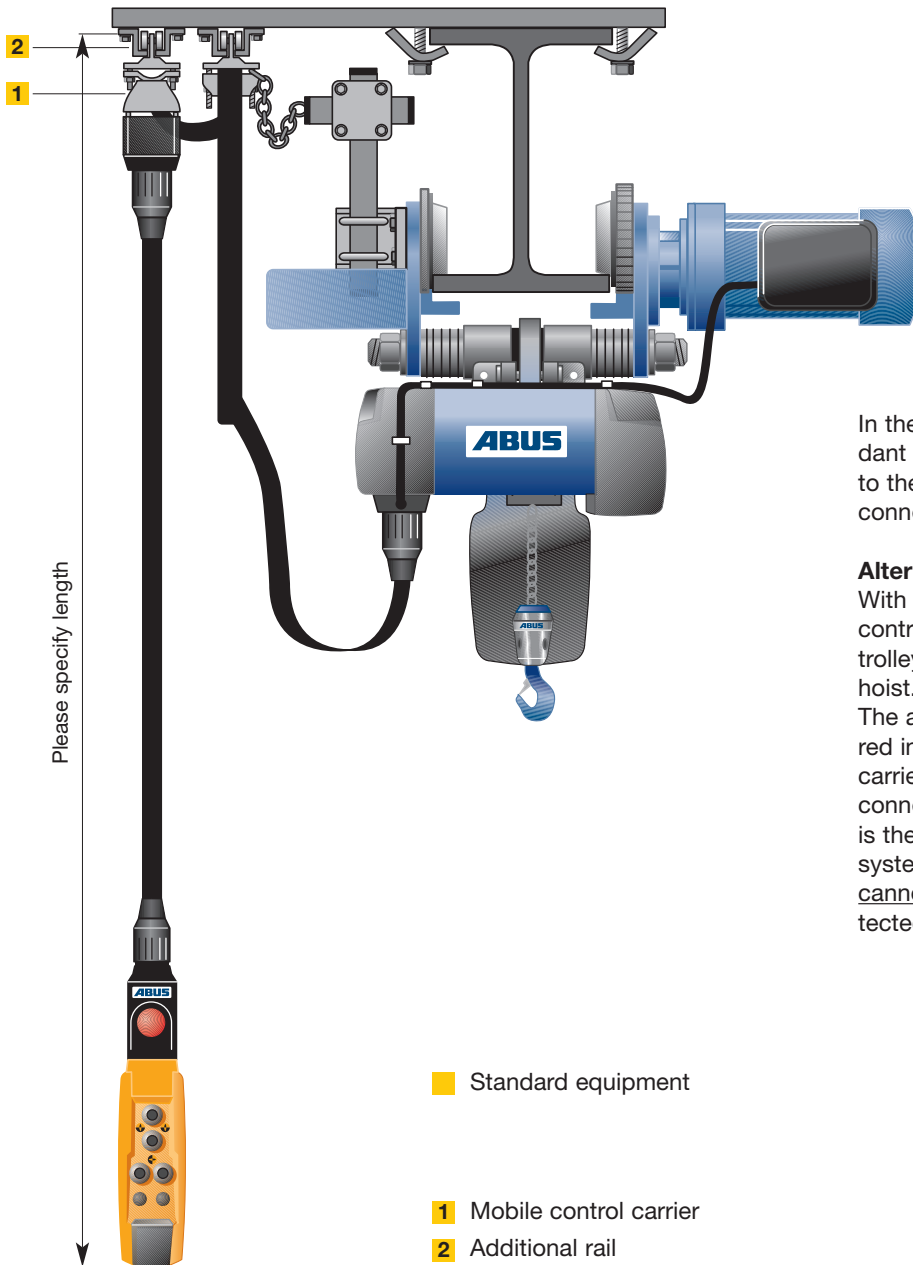
Flat cable carriers, flat cable, rails, rail supports, rail connectors, mounting consoles, clamping brackets

- The riser cable from the mains switch and cabling from the mains switch to the terminal box, including accessories, are not included in the scope of supply.

The voltage drop must be taken into consideration for the design of the festoon system. The festoon system is prefabricated, i.e. supplied with the flat cable on the cable carriers, current collector carrier and end clamp.

* for track lengths
up to 30 m

ABUS power supply system with mobile control*



In the standard version, the pendant control is attached directly to the hoist by a quick plug-type connector.

Alternative:

With this alternative, the pendant control can be moved along the trolley track independently from the hoist.

The additional components required include rail, flat cable, cable carrier and control carrier with connector. The basic design is the same as for the festoon cable system. A mobile control carrier cannot be combined with a protected conductor system.

Fixed components

Fixed components as for festoon system on page 19, plus: end clamp, mobile control carrier, bolted joints, end stop

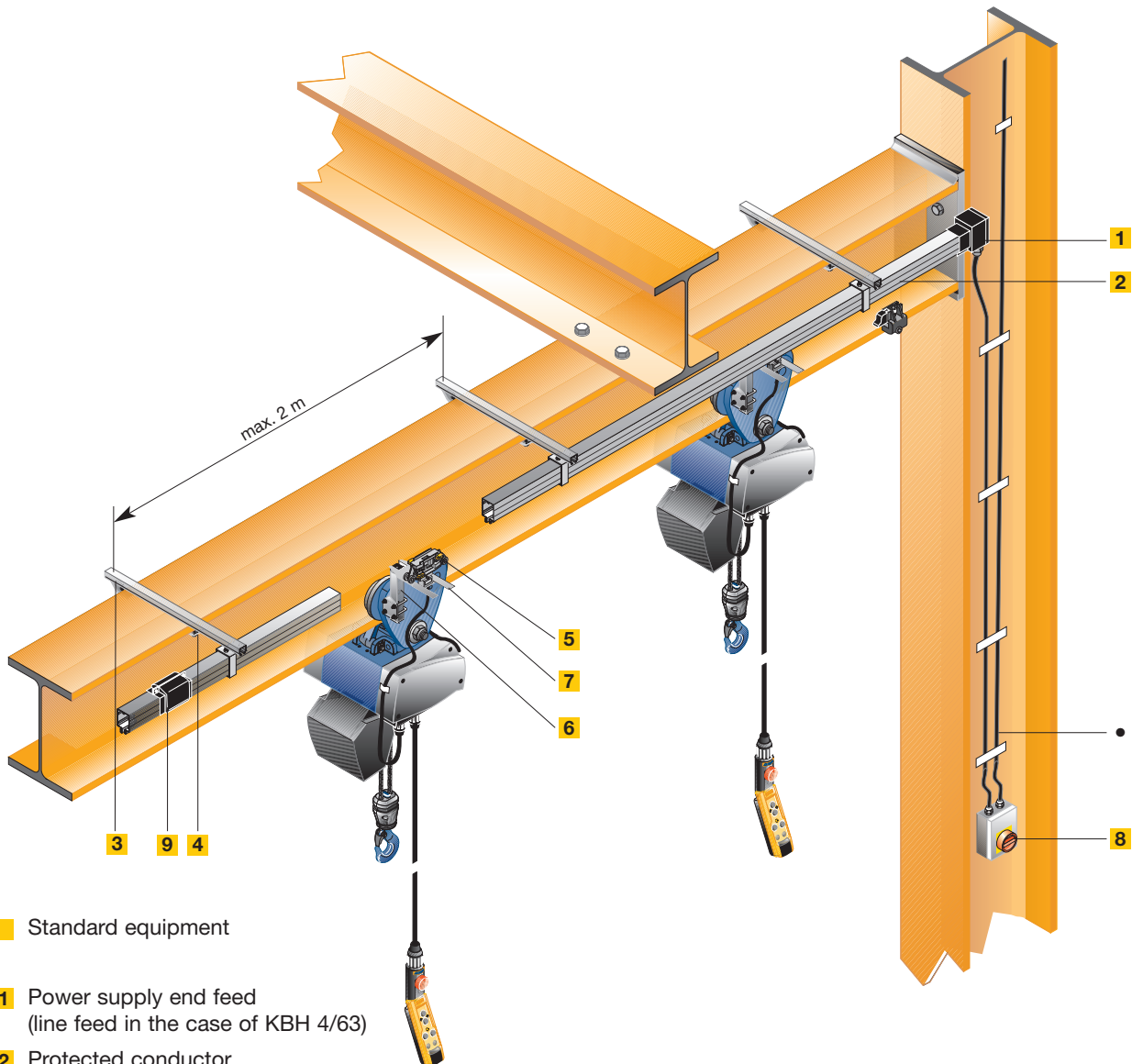
Length-dependent components

Length-dependent components as for festoon system on page 19, plus: additional cable carriers, flat cable, rail supports, rail connectors for mobile control carrier

The voltage drop must be taken into consideration for the design of the system.

The system is prefabricated, i.e. supplied with the flat cable on the cable carriers, current collector carrier and end clamp.

ABUS safety conductor system



Standard equipment

- 1** Power supply end feed (line feed in the case of KBH 4/63)
- 2** Protected conductor
- 3** Mounting console
- 4** Clamping brackets
- 5** Current collector carrier
- 6** Trolley current collector (part of scope of supply for hoist)
- 7** Collector fork
- 8** Mains switch
- 9** Safety conductor and housing connector

Fixed components
End cap, power supply end feed or line feed, anchor mounts, reinforcement clamps, current collector carrier with 4 m connecting cable, collector fork, mains switch
Type
KBH 4/40
KBH 4/63

Length-dependent components
Safety conductor, sliding mounts, mounting consoles, clamping brackets
Type
KBH 4/40
KBH 4/63

Power supply from the centre of the conductor is required if the track length is above 30 m.

- The riser cable from the mains switch and cabling to the power supply point, including accessories, are not included in the scope of supply.

The voltage drop corresponding to the track length must be taken into consideration for the design of the safety conductor system.

(fold-out dimensioned sketches on pages 3 and 30)

Weights and dimensions

Dimensions, ABUCompact GM2 to GM8

Model	Width			Length				Height		Suspension bracket			
	B mm	B3 mm	B4 mm	L mm	L1 mm	L2 mm	L3 mm	H mm	H1 mm	D1 mm	H2 mm	T mm	B5 mm
GM2	346	175	171	313	181	132	103	194	129	42	65	21	24
GM4	400	217	183	353	197	156	120	237	158	42	79	21	24
GM6	472	281	191	466	255	211	154	301	196	65	105	28	28
GM8	542	306	236	472	254	218	198	340	235	65	105	28	28
GM8 ¹⁾	542	306	236	472	254	218	198	370	235	75	135	33	28

¹⁾ with EF 50 for load capacity 4000 kg

Dimensions, ABUCompact GM2 to GM8 with additional housing

Model	Width			Length				Height		Suspension bracket			
	B mm	B3 mm	B4 mm	L mm	L1 mm	L2 mm	L3 mm	H mm	H1 mm	D1 mm	H2 mm	T mm	B5 mm
GM2	346	175	171	352	220	132	103	194	129	42	65	21	24
GM4	400	217	183	390	234	156	120	237	158	42	79	21	24
GM6	472	281	191	517	306	211	154	301	196	65	105	28	28
GM8	542	306	236	567	349	218	198	340	235	65	105	28	28
GM8 ¹⁾	542	306	236	567	349	218	198	370	235	75	135	33	28

Dimensions, ABUCompact GM2 to GM8, stationary and with trolley

Model	No. of falls	Hook	Trolley	C mm	C1 mm	C3 mm	D1 mm	D2 mm	A3 mm
GM2	1	012	HF 3	344	390	46	42	30	19
GM2	1	012	HF 6	344	396	52,5	42	30	19
GM2	1	012	HF 14	344	412	68	42	30	19
GM2	1	012	EF 14	344	412	68	42	30	19
GM2	1	025	HF 6	358	410	52,5	42	36	25
GM2	1	025	HF 14	358	426	68	42	36	25
GM2	1	025	EF 14	358	426	68	42	36	25
GM2	2	05	HF 3	425	471	46	42	43	31
GM2	2	05	HF 6	425	477	52,5	42	43	31
GM2	2	05	HF 14	425	493	68	42	43	31
GM2	2	05	EF 14	425	493	68	42	43	31
GM4	1	025	HF 3	390	436	46	42	36	25
GM4	1	025	HF 6	390	442	52,5	42	36	25
GM4	1	025	HF 14	390	458	68	42	36	25
GM4	1	025	EF 14	390	458	68	42	36	25
GM4	2	05	HF 6	470	522	52,5	42	43	31
GM4	2	05	HF 14	470	538	68	42	43	31
GM4	2	05	EF 14	470	538	68	42	43	31
GM6	1	05	HF 14	492	560	68	65	43	31
GM6	1	05	EF 14	492	560	68	65	43	31
GM6	2	1	HF 22	564	643	79	65	50	36
GM6	2	1	EF 22	564	643	79	65	50	36
GM6	2	1	HF 36	564	648	84	65	50	36
GM6	2	1	EF 36	564	648	84	65	50	36
GM8	1	05	HF 22	553	632	79	65	43	31
GM8	1	05	EF 22	553	632	79	65	43	31
GM8	2	1	HF 22	674	753	79	65	50	36
GM8	2	1	HF 36	674	758	84	65	50	36
GM8	2	1	EF 22	674	753	79	65	50	36
GM8	2	1	EF 36	674	758	84	65	50	36
GM8	2	1	EF 50	704	789	84	75	50	36

Weights and dimensions dependant on hook path, ABUCompact GM2 to GM8

Model	No. of falls	Hook path	D1 mm	H2 mm	C2 mm	Weight kg
GM2	1	3000	42	65	357	21,8
GM2	1	4000	42	65	394	22,2
GM2	1	5000	42	65	394	22,5
GM2	1	6000	42	65	394	22,8
GM2	1	8000	42	65	394	23,5
GM2	1	10000	42	65	394	24,2
GM2	1	12000	42	65	494	24,9
GM2	1	16000	42	65	494	26,2
GM2	1	20000	42	65	494	27,6
GM2	1	24000	42	65	494	29,0
GM2	1	32000	42	65	671	31,7
GM2	2	3000	42	65	394	24,4
GM2	2	4000	42	65	394	25,1
GM2	2	5000	42	65	394	25,8
GM2	2	6000	42	65	494	26,5
GM2	2	8000	42	65	494	27,8
GM2	2	10000	42	65	494	29,2
GM2	2	12000	42	65	494	30,6
GM2	2	16000	42	65	671	33,3
GM4	1	3000	42	79	427	34,5
GM4	1	4000	42	79	427	35,2
GM4	1	5000	42	79	527	35,8
GM4	1	6000	42	79	527	36,5
GM4	1	8000	42	79	527	37,8
GM4	1	10000	42	79	527	39,1
GM4	1	12000	42	79	639	40,4
GM4	1	16000	42	79	639	43,0
GM4	1	20000	42	79	639	45,6
GM4	1	24000	42	79	639	48,2
GM4	1	32000	42	79	693	53,4
GM4	1	50000	42	79	693	65,1
GM4	2	3000	42	79	527	38,0
GM4	2	4000	42	79	527	39,3
GM4	2	5000	42	79	527	40,6
GM4	2	6000	42	79	639	41,9
GM4	2	8000	42	79	639	44,5
GM4	2	10000	42	79	639	47,1
GM4	2	12000	42	79	639	49,7
GM4	2	16000	42	79	693	54,9
GM4	2	25000	42	79	693	66,7
GM6	1	3000	65	105	549	57,6
GM6	1	4000	65	105	549	58,9
GM6	1	5000	65	105	549	60,1
GM6	1	6000	65	105	549	61,4
GM6	1	8000	65	105	549	63,8
GM6	1	10000	65	105	709	66,3
GM6	1	12000	65	105	709	68,8
GM6	1	16000	65	105	709	73,8
GM6	1	20000	65	105	709	78,7
GM6	1	24000	65	105	764	83,7
GM6	1	32000	65	105	764	93,6
GM6	1	35000	65	105	764	97,4
GM6	2	3000	65	105	549	64,2
GM6	2	4000	65	105	549	66,7
GM6	2	5000	65	105	709	69,2
GM6	2	6000	65	105	709	71,7
GM6	2	8000	65	105	709	76,6
GM6	2	10000	65	105	709	81,6

(fold-out dimensioned sketches on pages 3 and 30)

Weights and dimensions dependant on hook path, ABUCompact GM2 to GM8

Model	No. of falls	Hook path	D1 mm	H2 mm	C2 mm	Weight kg
GM6	2	12000	65	105	764	86,6
GM6	2	16000	65	105	764	96,5
GM6	2	17500	65	105	764	100,2
GM8	1	3000	65	105	816	92,3
GM8 ¹⁾	1	3000	75	135	846	92,3
GM8	1	4000	65	105	816	94,5
GM8 ¹⁾	1	4000	75	135	846	94,5
GM8	1	5000	65	105	816	96,8
GM8 ¹⁾	1	5000	75	135	846	96,8
GM8	1	6000	65	105	816	99,1
GM8 ¹⁾	1	6000	75	135	846	99,1
GM8	1	8000	65	105	816	103,6
GM8 ¹⁾	1	8000	75	135	846	103,6
GM8	1	10000	65	105	816	108,2
GM8 ¹⁾	1	10000	75	135	846	108,2
GM8	1	12000	65	105	816	112,7
GM8 ¹⁾	1	12000	75	135	846	112,7
GM8	1	16000	65	105	816	121,8
GM8 ¹⁾	1	16000	75	135	846	121,8
GM8	1	20000	65	105	816	130,9
GM8 ¹⁾	1	20000	75	135	846	130,9
GM8	1	32000	65	105	966	158,0
GM8	1	32000	75	135	996	158,0
GM8	2	3000	65	105	816	101,1
GM8 ¹⁾	2	3000	75	135	846	101,1
GM8	2	4000	65	105	816	105,6
GM8 ¹⁾	2	4000	75	135	846	105,6
GM8	2	5000	65	105	816	110,2
GM8 ¹⁾	2	5000	75	135	846	110,2
GM8	2	6000	65	105	816	114,7
GM8 ¹⁾	2	6000	75	135	846	114,7
GM8	2	8000	65	105	816	123,8
GM8 ¹⁾	2	8000	75	135	846	123,8
GM8	2	10000	65	105	816	132,9
GM8 ¹⁾	2	10000	75	135	846	132,9
GM8	2	16000	65	105	966	160,0
GM8	2	16000	75	135	996	160,0

¹⁾ with EF 50 for load capacity 4000 kg

Dimensions, ABUCompact GMC

Model	Width			Length				Height		Suspension bracket			
	B mm	B3 mm	B4 mm	L mm	L1 mm	L2 mm	L3 mm	H mm	H1 mm	D1 mm	H2 mm	T mm	B5 mm
GMC	275	115	160	275	125	150	0	177	130	24	47	8	18

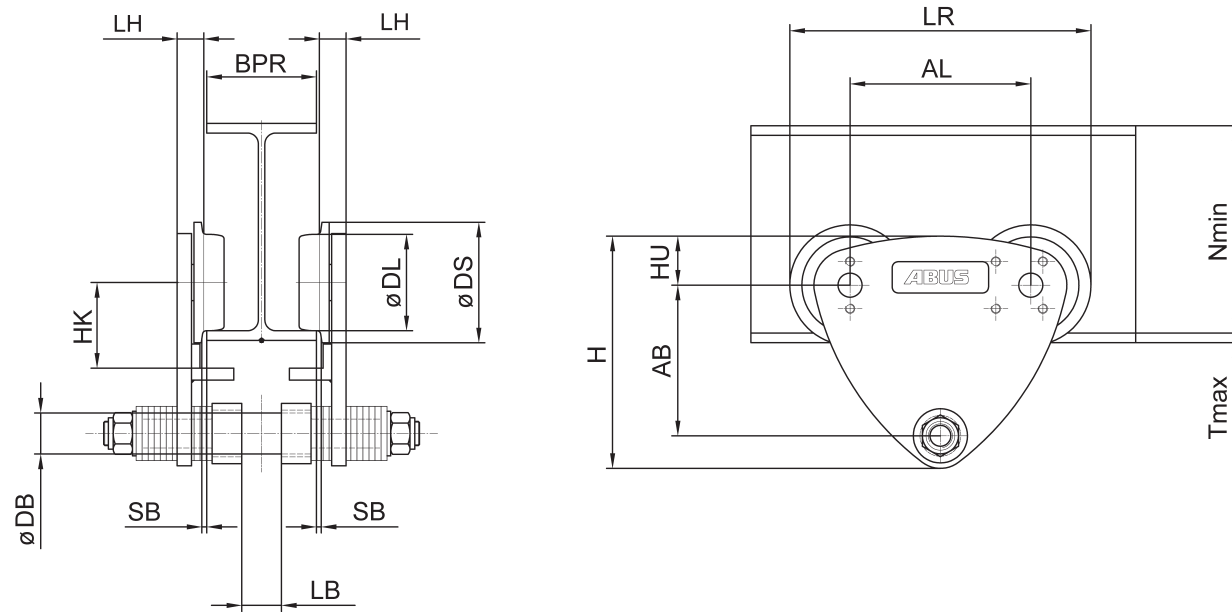
Dimensions, ABUCompact GMC, stationary and with trolley

Model	No. of falls	Hook	Trolley	C mm	C1 mm	D1 mm	D2 mm	A3 mm
GMC	1	012	HF 3	310	356	24	30	19
GMC	2	025	HF 3	355	401	24	36	25

Weights and dimensions dependant on hook path, ABUCompact GMC

Model	No. of falls	Hook path	D1 mm	C2 mm	Weight kg
GMC	1	3000	24	340	10.1
GMC	1	6000	24	340	10.7
GMC	1	10000	24	340	11.5
GMC	1	20000	24	375	13.6
GMC	2	3000	24	340	11.2
GMC	2	6000	24	340	12.5
GMC	2	10000	24	375	14.1

Weights and dimensions, ABUS HF push trolleys



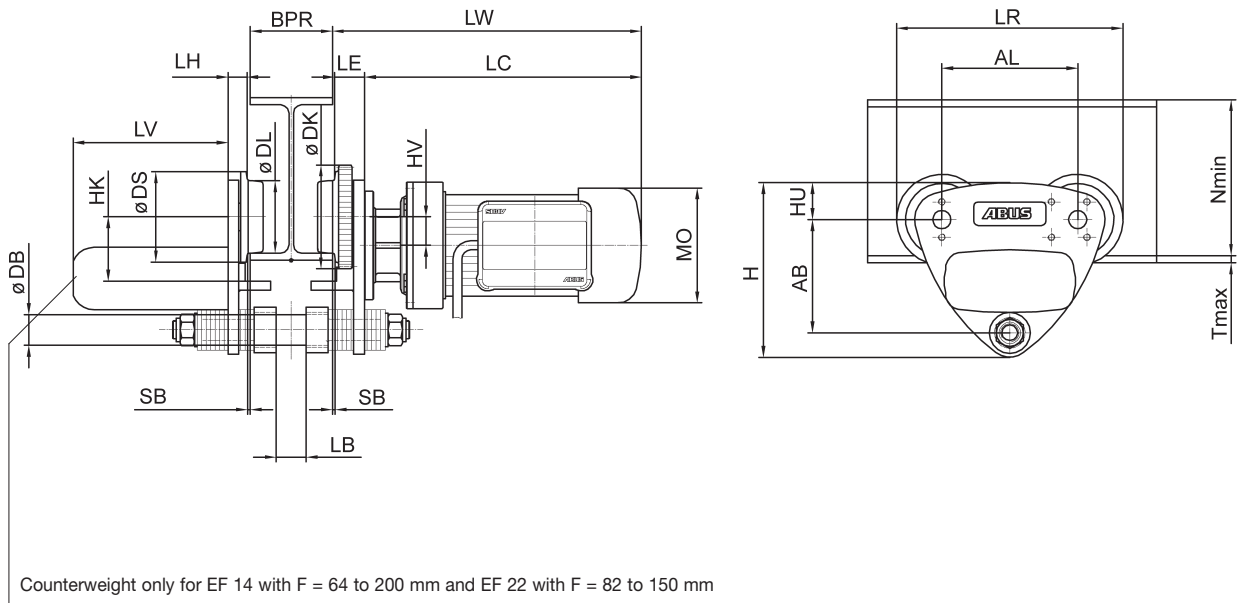
Dimension table, ABUS HF push trolleys

Model	Flange width BPR	Load capacity	Dimensions													Ref.	Weight	
			mm															
			AL	AB	DL	DS	DB	H	HK	HU	LB	LR	LH	SB (max.)	N (min.)			T (max.)
HF 3	42 - 120	300	90	85	56	75	22	135	47	28	20	165	17	2	110	20	110243	3.9
HF 3	121 - 180	300	90	85	56	75	22	135	47	28	20	165	17	2	110	20	110244	4.4
HF 6	42 - 120	580	120	100	65	85	30	153	55	32	24	205	19	2	120	20	110245	6.1
HF 6	121 - 220	580	120	100	65	85	30	153	55	32	24	205	19	2	120	20	110246	6.7
HF 14	64 - 125	1400	150	125	80	100	34	193	70	41	33	250	22	2	130	20	74097	11.0
HF 14	126 - 200	1400	150	125	80	100	34	193	70	41	33	250	22	2	130	20	74098	11.7
HF 14	201 - 300	1400	150	125	80	100	34	193	70	41	33	250	22	2	130	20	74099	12.6
HF 22	82 - 150	2200	180	160	112	140	50	236	90	41	41	320	28	2	160	21.5	110250	23.2
HF 22	151 - 200	2200	180	160	112	140	50	236	90	41	41	320	28	2	160	21.5	110251	23.9
HF 22	201 - 300	2200	180	160	112	140	50	236	90	41	41	320	28	2	160	21.5	110252	25.8
HF 36	90 - 155	3600	180	170	112	140	60	253	90	41	49	320	33	2	160	21.5	110253	29.7
HF 36	156 - 200	3600	180	170	112	140	60	253	90	41	49	320	33	2	160	21.5	110254	30.4
HF 36	201 - 300	3600	180	170	112	140	60	253	90	41	49	320	33	2	160	21.5	110255	32.2
HF 50	100 - 195	5000	220	190	140	180	70	348	115	90	60	400	54	2	190	40	110529	65.5
HF 50	200 - 305	5000	220	190	140	180	70	348	115	90	60	400	54	2	190	40	110530	70.5

Model	Flange width BPR	Minimum bend radius
	mm	mm
HF 3	42 - 70	600
	71 - 85	700
	86 - 120	1000
	121 - 180	1200
HF 6	42 - 70	700
	71 - 85	800
	86 - 120	1100
	121 - 180	1300
	181 - 220	1600
HF 14	64 - 90	1100
	91 - 125	1500
	126 - 140	1700
	141 - 200	2100
	201 - 300	2250
HF 22	82 - 125	1700
	126 - 140	2100
	141 - 200	2200
	201 - 300	2300
HF 36	90 - 125	1700
	126 - 140	2100
	141 - 200	2200
	201 - 300	2300
HF 50	100 - 125	1800
	126 - 200	2000
	201 - 305	2200

Weights and dimensions, ABUS EF electric trolleys

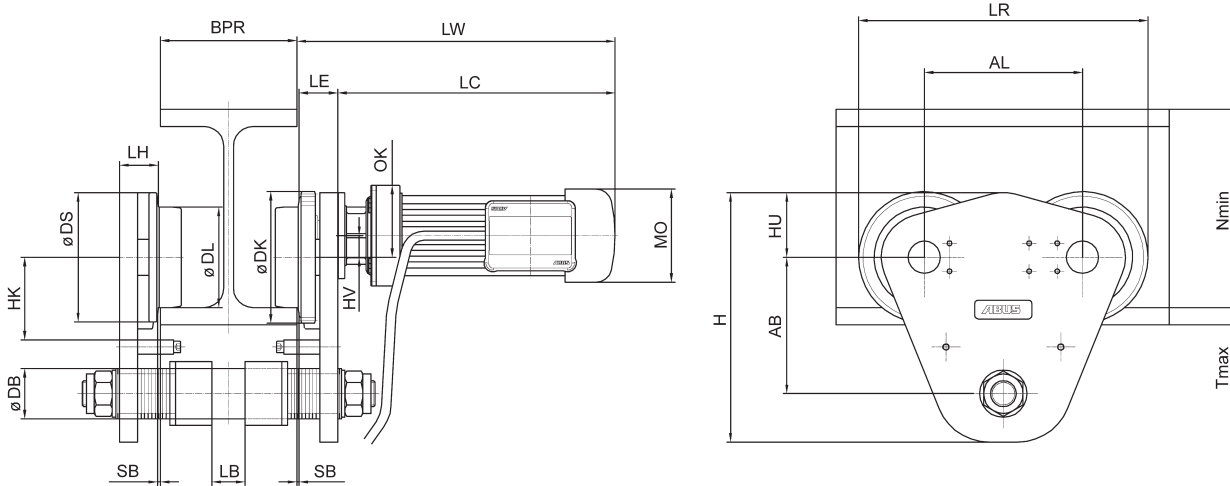
ABUS EF 14 – 36 electric trolleys



Dimension table, ABUS EF electric trolleys

Model	Flange width BPR	Load capacity	Travel speed	Rating	Duty cycle	Dimensions											
						mm											
	mm	kg	m/min	kW	% ED	AL	AB	DL	DS	DK	DB	H	HK	HV	HU	LB	LR
EF 14	64 - 125	1400	5/20	0.06/0.25	40	150	125	80	100	115	34	193	70	31.5	41	33	265
EF 14	126 - 200	1400	5/20	0.06/0.25	40	150	125	80	100	115	34	193	70	31.5	41	33	265
EF 14	201 - 300	1400	5/20	0.06/0.25	40	150	125	80	100	115	34	193	70	31.5	41	33	265
EF 22	82 - 150	2200	5/20	0.06/0.25	40	180	160	112	140	155	50	236	90	47	41	41	335
EF 22	151 - 200	2200	5/20	0.06/0.25	40	180	160	112	140	155	50	236	90	47	41	41	335
EF 22	201 - 300	2200	5/20	0.06/0.25	40	180	160	112	140	155	50	236	90	47	41	41	335
EF 36	90 - 155	3600	5/20	0.06/0.25	40	180	170	112	140	155	60	253	90	47	41	49	335
EF 36	156 - 200	3600	5/20	0.06/0.25	40	180	170	112	140	155	60	253	90	47	41	49	335
EF 36	201 - 300	3600	5/20	0.06/0.25	40	180	170	112	140	155	60	253	90	47	41	49	335
EF 50	100 - 195	5000	5/20	0.09/0.37	40	220	190	140	180	183	70	348	115	30	90	50	403
EF 50	200 - 305	5000	5/20	0.09/0.37	40	220	190	140	180	183	70	348	115	30	90	50	403

ABUS EF 50 electric trolleys



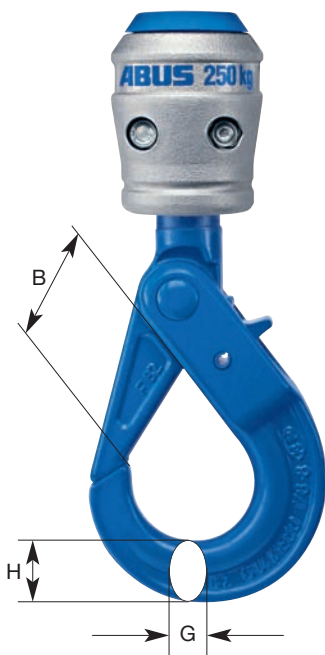
	Dimensions										Ref.	Weight
	mm											
	LH	LV	SB (max.)	LE	LW	LC	MO	OK	N (min.)	T (max.)		kg
	22	175	2	34	373	339	124	-	130	20	102466	37.1
	22	175	2	34	373	339	124	-	130	20	102467	37.8
	22	0	2	34	373	339	124	-	130	20	102468	27.1
	28	175	2	39	377	338	124	-	160	21.5	102469	49.4
	28	0	2	39	377	338	124	-	160	21.5	102470	38.6
	28	0	2	39	377	338	124	-	160	21.5	102471	40.5
	33	0	2	44	383	339	124	-	160	21.5	102472	43.9
	33	0	2	44	383	339	124	-	160	21.5	102473	44.2
	33	0	2	44	383	339	124	-	160	21.5	102474	46.5
	54	0	2	54	477	423	158	100	190	40	102475	87.9
	54	0	2	54	477	423	158	100	190	40	102476	92.9

Model	Flange width BPR	Minimum bend radius
	mm	mm
EF 14	64 - 90	1100
	91 - 125	1500
	126 - 140	1700
	141 - 200	2100
EF 22	201 - 300	2250
	82 - 125	1700
	126 - 140	2100
	141 - 200	2200
EF 36	201 - 300	2300
	90 - 125	1700
	126 - 140	2100
	141 - 200	2200
EF 50	201 - 300	2300
	100 - 125	1800
	126 - 200	2000
	201 - 305	2200

Safety hooks for use with ABUS electric chain hoists

How safety hooks can be used with ABUS electric chain hoists

Model of chain hoist/ No. of falls	Maximum load capacity kg	Standard Hook Type	Safety hook				
			Ref. 71859 BKT 7/8-8	Ref. 76056 BKT 7/8-8	Ref. 71860 BKT 7/8-8	Ref. 76057 BKT 13-8	Larger C dimensions mm
GMC / single fall	100	012		X			44.5
GMC / double fall	200	025	X				22.0
GM2 / single fall	250	012		X			44.5
GM2 / single fall	320	025		X			28.5
GM2 / double fall	630	05			X		4.0
GM4 / single fall	250	012		X			44.5
GM4 / single fall	630	025		X			28.5
GM4 / double fall	1250	05			X		4.0
GM6 / single fall	1000	05				X	75.5
GM6 / single fall	1000	1				X	58.5
GM8 / single fall	1000	05				X	75.5
GM8 / single fall	2000	1				X	58.5



Safety hook	Dimensions in mm		
	B	G	H
BKT 7/8-8	36	17	23
BKT 13-8	54	28	38

The first step towards your ABUCompact

Just copy the form, fill in your details and fax it to us. We will send you an initial quotation as soon as possible.



Company: _____

Name: _____ Phone: _____

Address: _____ Fax: _____

Details of the hoist you need:

Quantity: _____ Load capacity: _____ kg Hook path: _____ m

Quantity: _____ Load capacity: _____ kg Hook path: _____ m

What lifting speeds do you need?

- high lifting speeds because of long hook path and frequent use
- precise lifting and lowering more important than speed
- please provide advice

What operating voltage is available?

- 3 x 400 V / 50 Hz
- _____ V / _____ Hz

Do you need to move the load along a girder?

- no (stationary use)
- yes, with push trolley (push-pull operation)
- yes, with electric trolley (electric operation)

If so, is a trolley track girder available?

- yes length: _____ mm
height: _____ mm
flange width BPR: _____ mm
type of profile: _____
- no

Is a power supply system required?

- no
- yes, I am interested in
 - a festoon system (max. travel 30 m)
 - a protected conductor (for longer travel or more than one hoist on one girder)
 - please provide advice

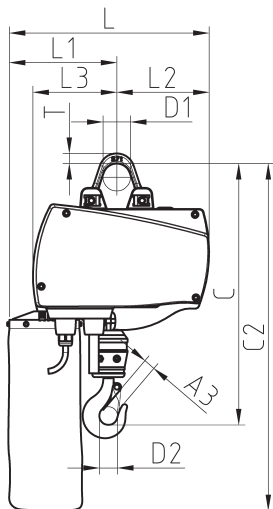
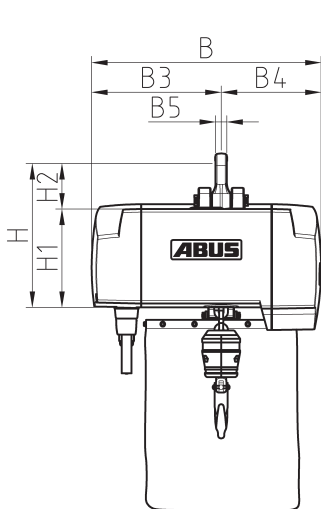
If you prefer a festoon system, do you need a mobile control carrier?

- yes
- no
- please provide advice

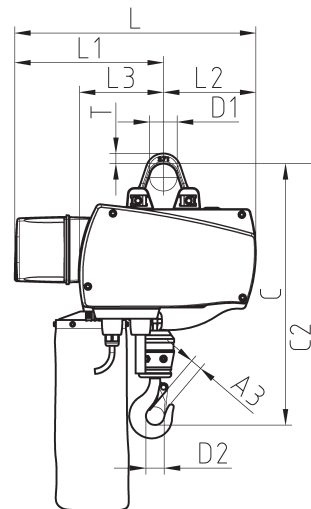
Dimensioned sketches of chain hoists

ABUCompact GM6 and GM8

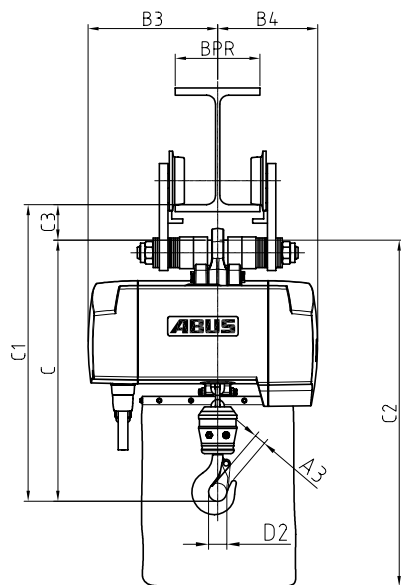
stationary



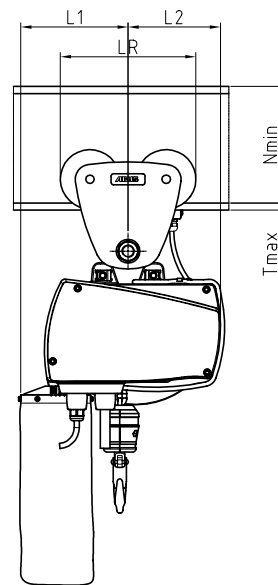
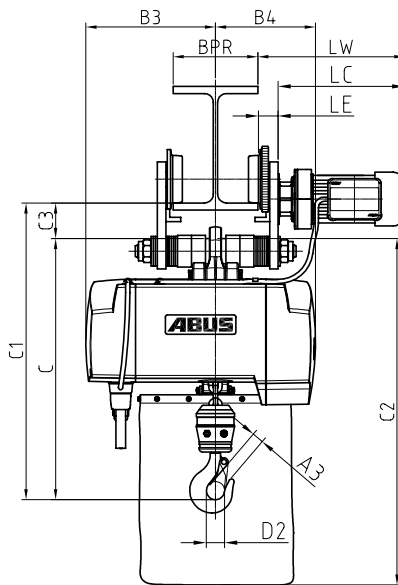
with additional housing

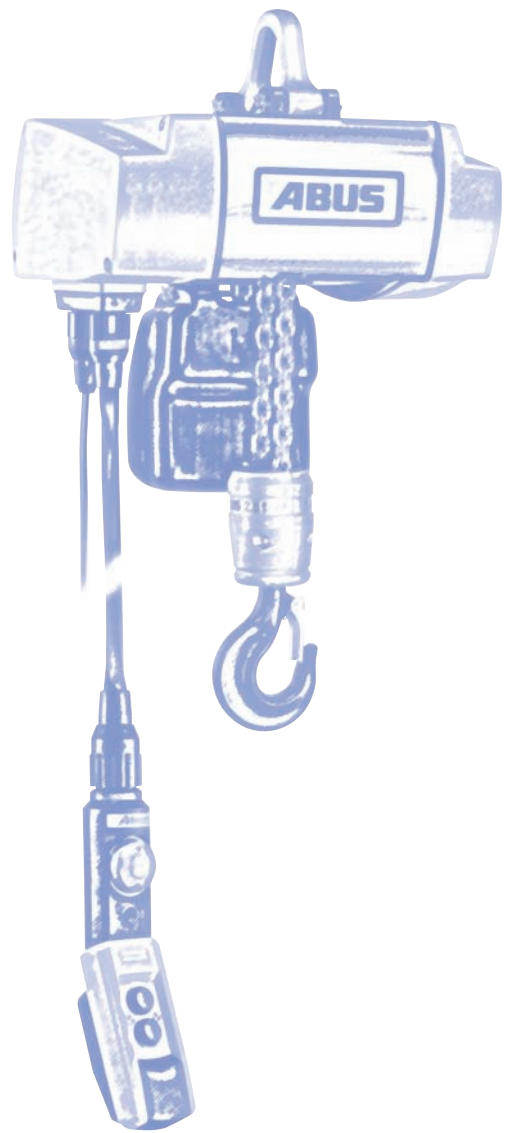
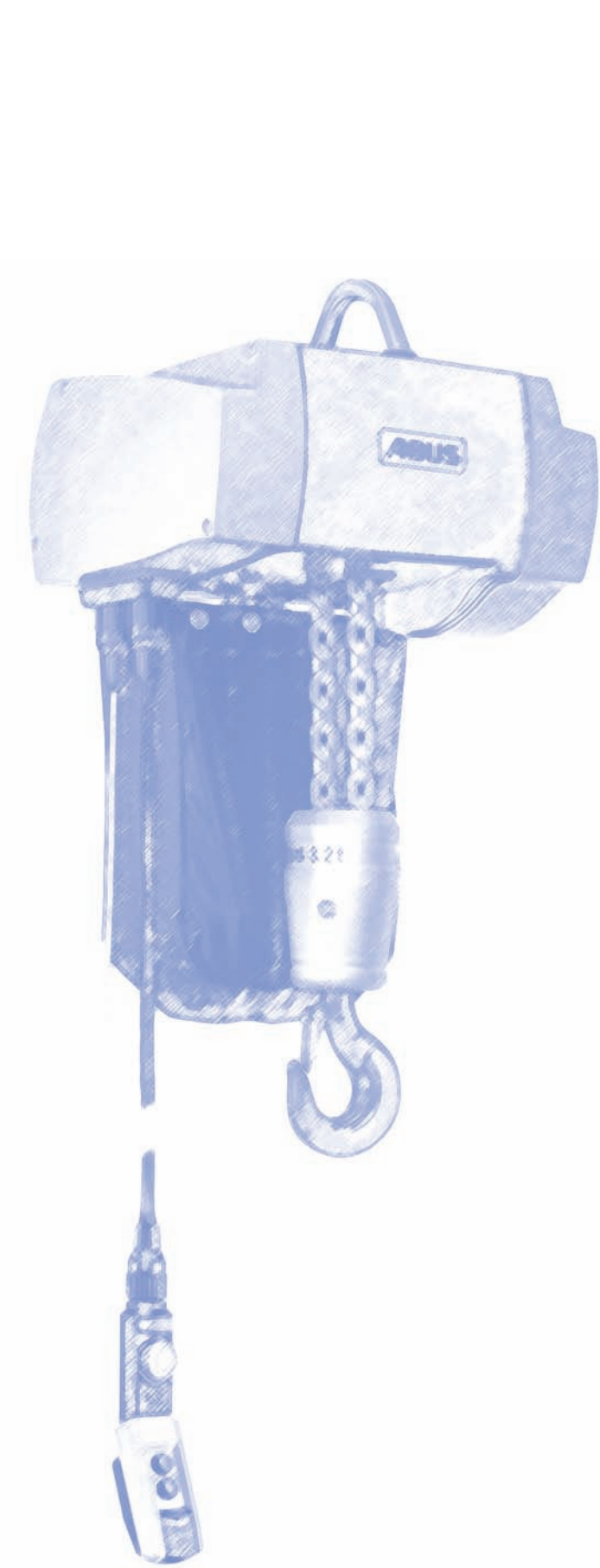


with HF push trolley



with EF electric trolley





**Dimensioned sketches
ABUCompact GM6 and GM8**

Please fold page out



Your direct contacts:

Lothar Graf	Phone: 02261 37-515	e-mail: lothar.graf@abus-kransysteme.de
Kai Mertel	Phone: 02261 37-6055	e-mail: kai.mertel@abus-kransysteme.de
Bodo Schmidt	Phone: 02261 37-263	e-mail: bodo.schmidt@abus-kransysteme.de
Michael Schumacher	Phone: 02261 37-508	e-mail: michael.schumacher@abus-kransysteme.de
Klaus Vollrath	Phone: 02261 37-574	e-mail: klaus.vollrath@abus-kransysteme.de
Jürgen Windisch	Phone: 02261 37-223	e-mail: juergen.windisch@abus-kransysteme.de